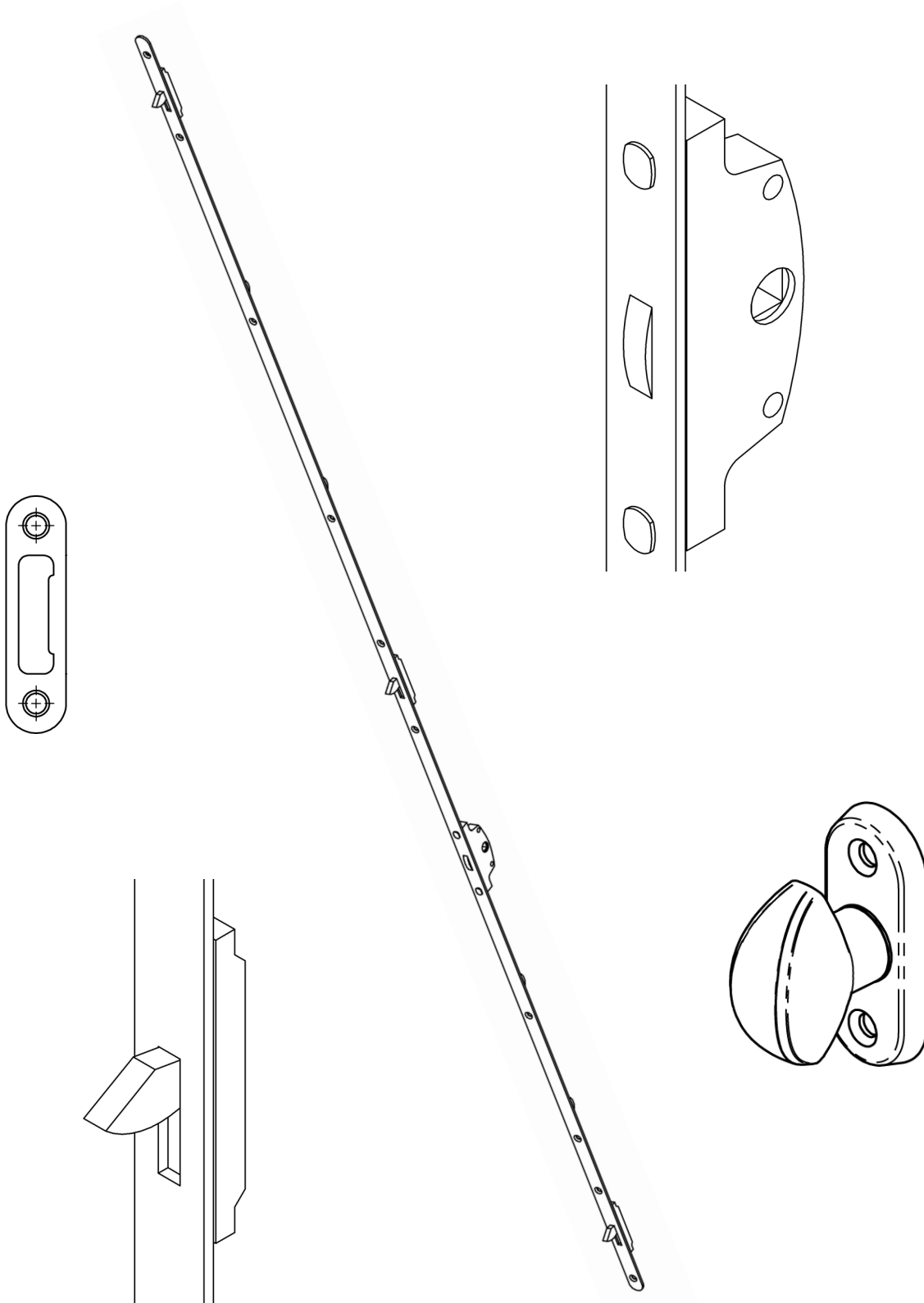
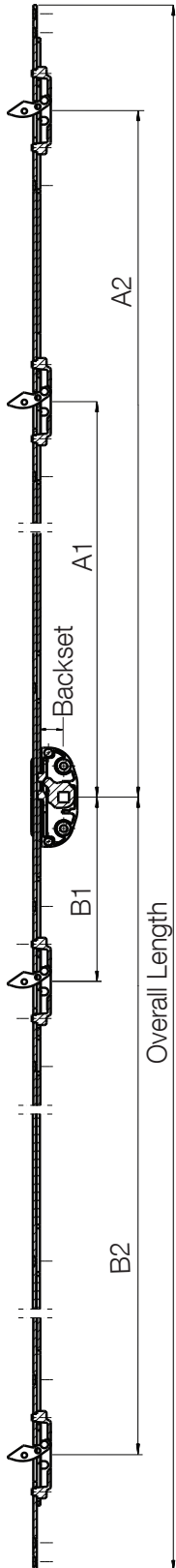


Multipoint Locking Hardware for Side Lite
Edition 5



Sidelite Gears - with Radiused End Faceplates



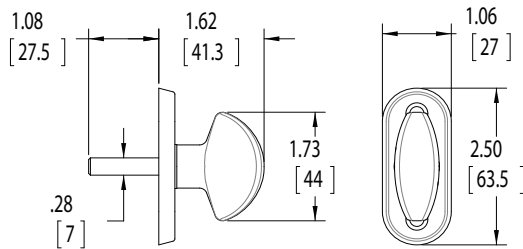
Part Number	Description	Backset	Overall Length	A1 1st Top Tongue	A2 2nd Top Tongue	B1 1st Lower Tongue	B2 2nd Lower Tongue
50013191	MA/20 / TN4 / 602/405.5 / 126/595.5 / 16-SC / 1350	20mm (0.78)	1350mm (53.15)	605mm (23.82)	40.5mm (15.96)	N/A	N/A
50013215	MA/25 / TN3 / 511.5 / 126/504.5 / 16-RC / 1150	25mm (1.00)	1150mm (45.28)	511.5mm (20.14)	N/A	126mm (4.96)	504.5mm (19.86)
50013185	MA/25 / TN3 / 978/228.6 / 469.9 / 16-RC / 1600	25mm (1.00)	1600mm (62.99)	978mm (38.50)	228.6mm (9.00)	469.9mm (18.50)	N/A
50013208	MA/25 / TN3 / 1054/228.6 / 469.9 / 16-RC / 1676	25mm (1.00)	1676mm (65.98)	105mm (41.50)	228.6mm (9.00)	469.9mm (18.50)	N/A

- Radius end faceplates and strikes keep milling preparations simple and efficient

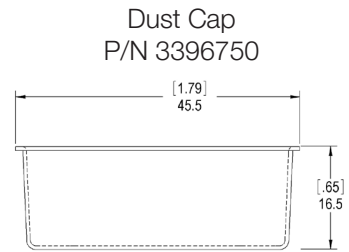
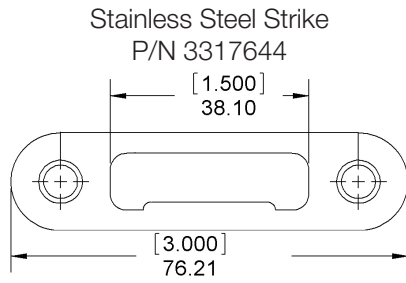
Features and Benefits

- All stainless steel construction for superior corrosion resistance
- Retractable lock points and concealed strikes provide a clean, continuous look – an advantage compared to other common types of sidelite hardware
- Shallow backsets allow for narrow stile designs
- Multiple lock points maximize weather sealing capability
- Operating Knobs are available in 9 finishes to accompany any HOPPE® swing door handle set
- Locking hardware is also compatible with any available HOPPE® Window Handle for even more design options

Thumb Turns



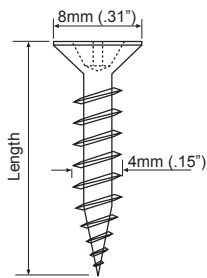
Finish	Part Number
Satin Nickel (F42-R)	3321387
Rustic Umber (F8709)	3321344
Oil Rubbed Brass (F79)	3321336
Brushed Chrome (F41)	3321281
Polished Brass (F77-R)	3321379
Matte Black (F9714)	3321361
Antique Brass (F73)	3321328
White (F9010)	3321352
Polished Chrome (F49)	3321301



Technical Drawings
available upon request

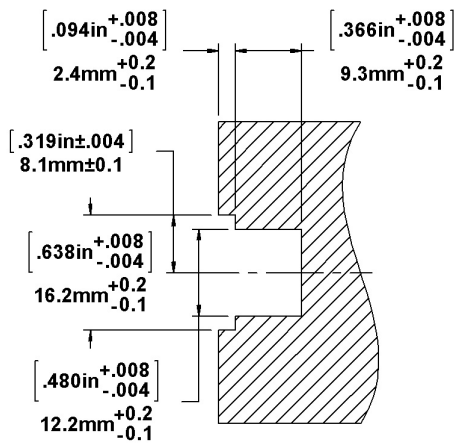
Fasteners for Locks

Part Number	Length	Package Quantity
8785687	20mm (0.79)	1000
8785691	30mm (1.18)	1000
8785695	35mm (1.38)	1000

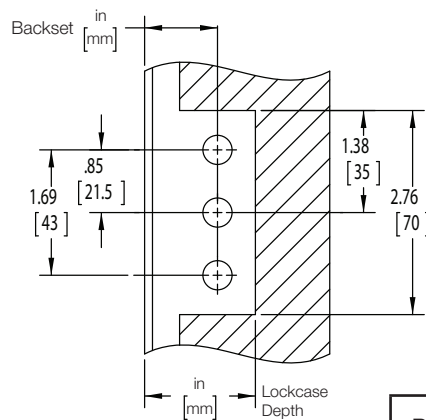


Fasteners for Strikes

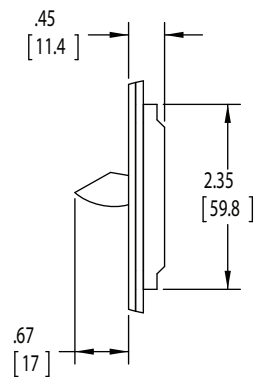
Part Number	Length	Package Quantity
2045931	.75" [19mm]	1000



Wood Eurogroove Prep



Mortise Prep



Tongue Detail

Backset	Lockcase Depth
20mm (.79)	27mm (1.06)
25mm (0.98)	32mm (1.26)
33m (1.30)	40mm (1.57)



HOPPE North America, Inc.
205 E. Blackhawk Drive
Fort Atkinson, WI 53538-1268
920-563-2626
920-563-4408

1-888-485-4885
info.us@hoppe.com

