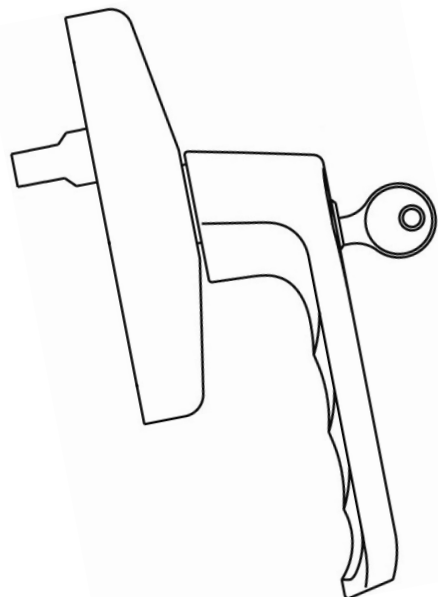
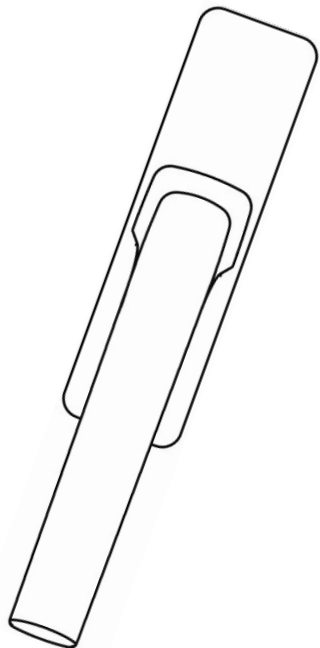
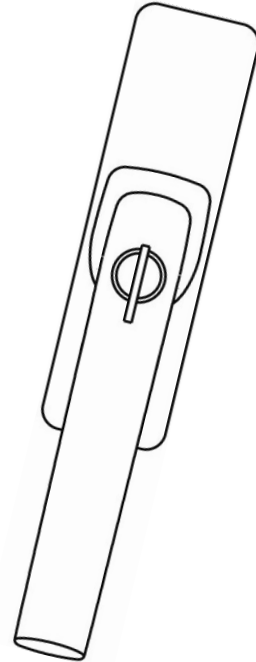
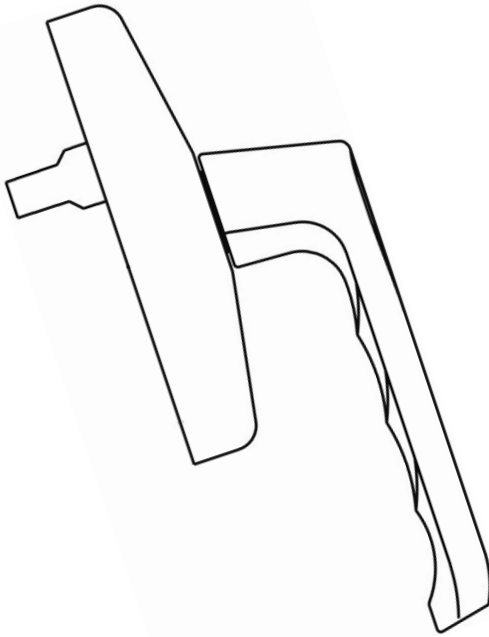


Window Handles for Aluminum Windows & Doors

Edition 1

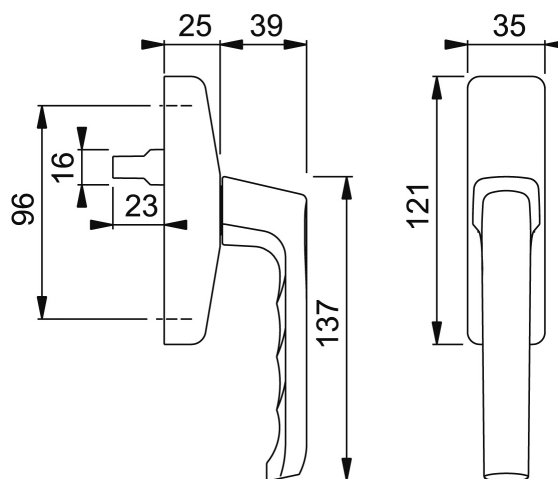


Handles for Aluminum Windows & Doors

Standard Turn & Tilt
Window Handle



London
Cast Aluminum
A013/GK12

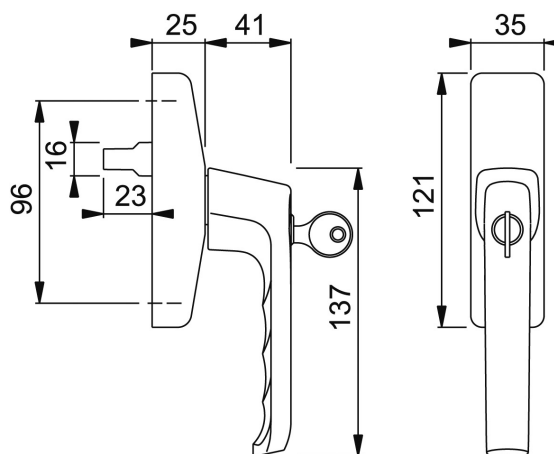


	Silver (F1)	Grey Brown (RAL8019)	Jet Black (RAL9005)	White (RAL9016)
A013/GK12	650323	650309	650316	650293

Lockable Turn & Tilt
Window Handle

The Lockable window handle can only be operated when the locking cylinder is unlocked by the key.

London
Cast Aluminum
A013S/GK12

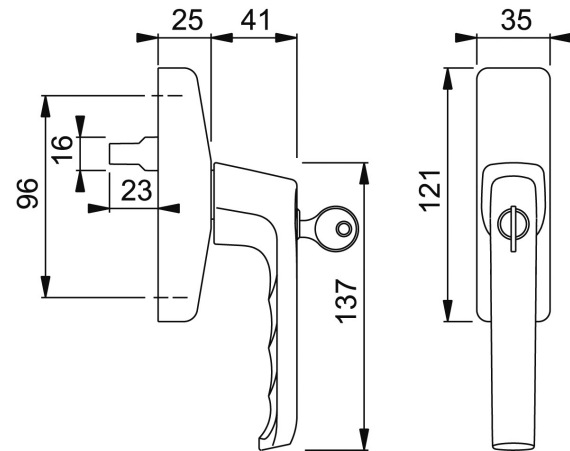


	Silver (F1)	Grey Brown (RAL8019)	White (RAL9016)
A013S/GK12	789870	768110	789887

Lockable TBT
Window Handle

London
Cast Aluminum
A013S/GK12

The Lockable TBT window handle function's between the closed and tilted positions freely, meaning that, although unlocking of the cylinder is not necessary, ventilation can occur. In the 90° tilted position, a blocking mechanism comes into operation so that turning the handle further to the 180° opening position is only possible once the cylinder is unlocked by the key.



	Silver (F1)	Jet Black (RAL9005)	White (RAL9016)
A013S/GK12	767489	767496	767502

HOPPE North America, Inc.
205 E. Blackhawk Drive
Fort Atkinson, WI 53538-1268
920-563-2626
920-563-4408

1-888-485-4885
info@us.hoppe.com