

## Product data sheet

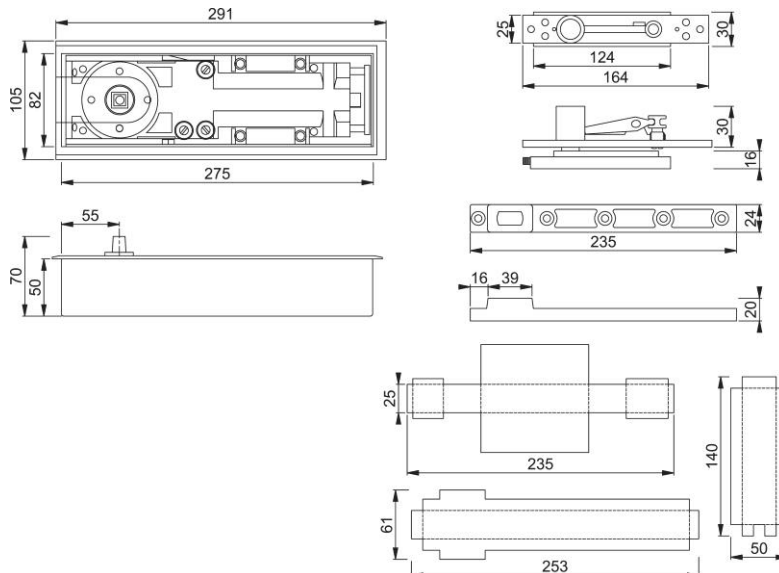
### Plus

AR760



#### ARRONE floor spring:

- Power size: EN 1 to EN 4, adjustable by spring tension
- Function: closing, latching
- Cover: mechanism
- Action: suitable for double action doors
- Successfully type tested for conformity to all requirements of **BS EN 1154:1997**  
Tested: door width 1,100 mm, door weight 80 kg  
Classification: 3 | 8 | 4/1 | 1\* | 1 | 4
- Fire tested to **BS EN 1634-1**: suitable for 30 and 60 minute timber fire doors and 120 minute insulated steel fire doors
- Certification:  
CE: AD5347, DOP HUK0067



Article number	50011303
Product ref.	AR760-DA-SSS
EAN-Code	5051358001459
Country of origin	Taiwan
CN-Code	83026000
Tested door width	1100 mm
Tested door weight	80 kg
Mechanism type	
Function	closing/latching speed, spring adjustment
Action	Double action swing
Dimensions	291x82x50 mm
Power size	1 to 4
Door weight	Maximum door mass 80 kg
Door width	max. 1100 mm
Opening Angle	max. 180° opening
Finish	SSS Satin Stainless Steel
Range	ARRONE Range
Packing unit	0
Outer carton	0