

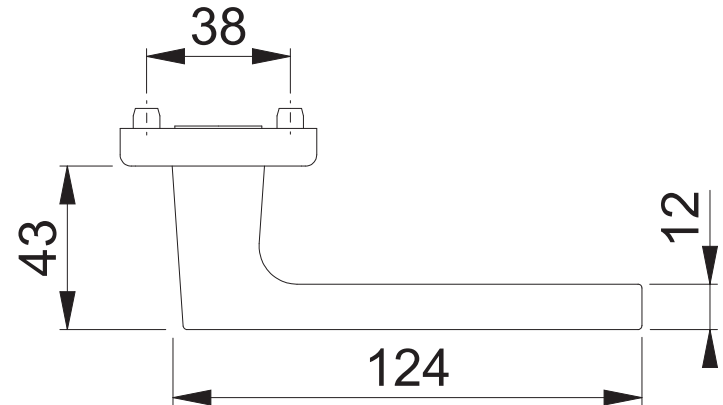
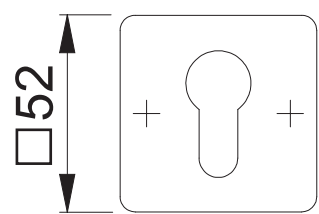
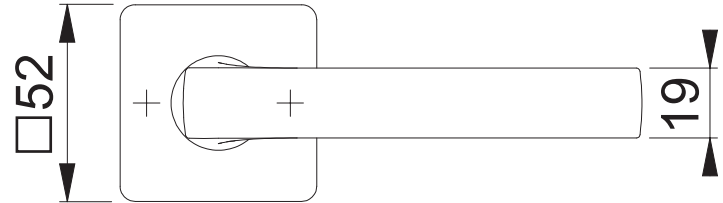
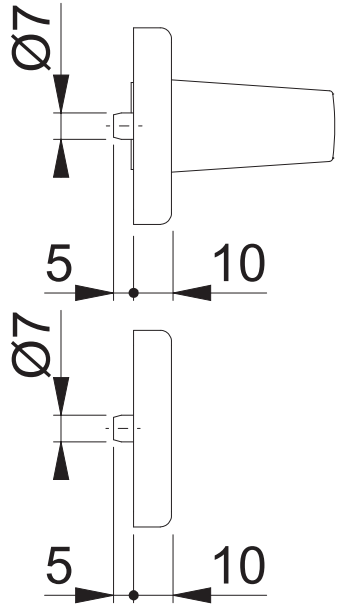
These documents are property of HOPPE AG, D-35260 Stadtlendorf and are protected by both copyright and fair trade law. Any reproduction, reprint, copying, passing on to third parties and whichever use of these documents or parts thereof is prohibited, except with prior written consent of HOPPE.

These documents are property of HOPPE AG, D-35260 Stadtlendorf and are protected by both copyright and fair trade law. Any reproduction, reprint, copying, passing on to third parties and whichever use of these documents or parts thereof is prohibited, except with prior written consent of HOPPE.

Copyright © HOPPE AG

M1643/52/52S PZ (F-KOMBI)

Bearbeitet / Datum
HHA/11.10.19



Maßstab 1:2	Name ASC5	Datum 10.10.2019	Zeichnungsnummer / Quelle c0023362z000	A4 00
----------------	--------------	---------------------	---	-------

Artikel-Schriftfeld-CAD
M1643/52/52S HGI-SST; PZ; (1/2-Innentürgt.für Kombi-Schutz)

