

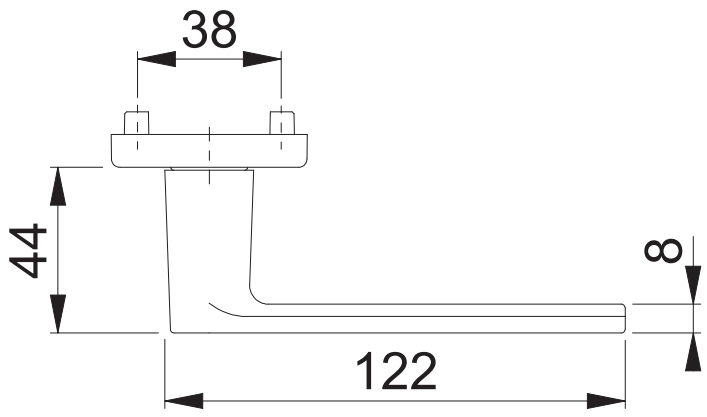
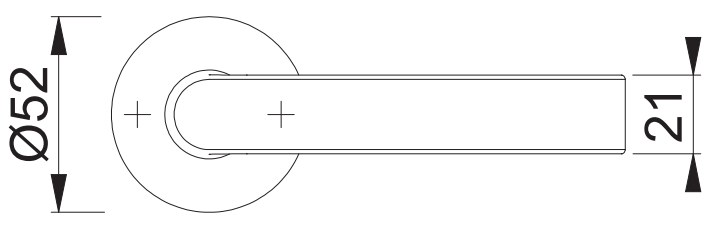
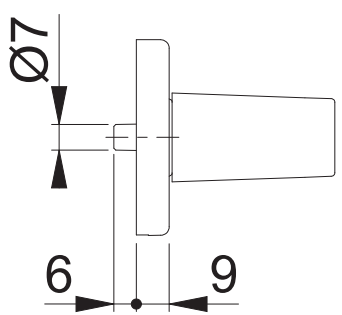
These documents are property of HOPPE AG, D-35260 Stadtlendorf and are protected by both copyright and fair trade law. Any reproduction, reprint, copying, passing on to third parties and whichever use of these documents or parts thereof is prohibited, except with prior written consent of HOPPE.

These documents are property of HOPPE AG, D-35260 Stadtlendorf and are protected by both copyright and fair trade law. Any reproduction, reprint, copying, passing on to third parties and whichever use of these documents or parts thereof is prohibited, except with prior written consent of HOPPE.

Copyright © HOPPE AG

# M1642/42KV

Bearbeitet / Datum  
 HHA/17.10.25



Maßstab 1:2	Name SRA	Datum 25.02.14	Zeichnungsnummer / Quelle c0022962z009	R 00	
Artikel-Schriftfeld-CAD M1642/42KV/42KVS/442KVS/2KV/1642; MSK91/MOL96			Zeichnungsnummer / Quelle (alt)		