

These documents are property of HOPPE AG, D-35260 Stadtlendorf and are protected by both copyright and fair trade law. Any reproduction, reprint, copying, passing on to third parties and whichever use of these documents or parts thereof is prohibited, except with prior written consent of HOPPE.

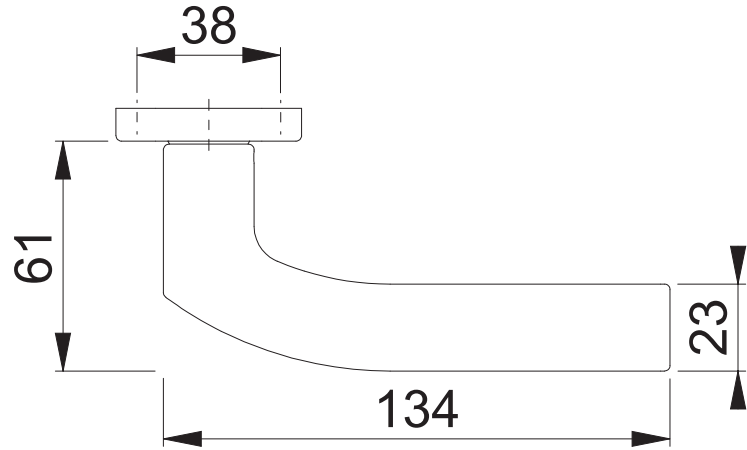
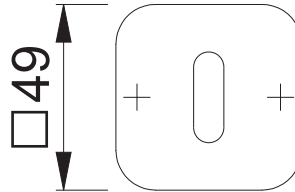
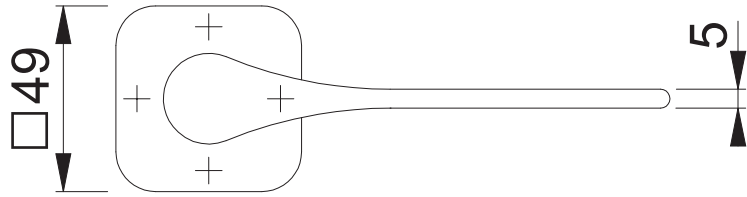
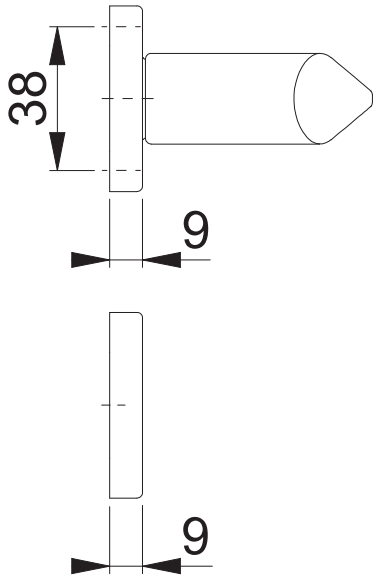
These documents are property of HOPPE AG, D-35260 Stadtlendorf and are protected by both copyright and fair trade law. Any reproduction, reprint, copying, passing on to third parties and whichever use of these documents or parts thereof is prohibited, except with prior written consent of HOPPE.

Copyright © HOPPE AG

M1240/870K/870KS OB

Bearbeitet / Datum

HH/15.07.24



Maßstab 1:2	Name ASC5	Datum 12.07.24	Zeichnungsnummer / Quelle c002-0004808z000	R 00	
Artikel-Schriftfeld-CAD M1240/870K/870KS/870KS/870K/1240			Zeichnungsnummer / Quelle (alt)		