

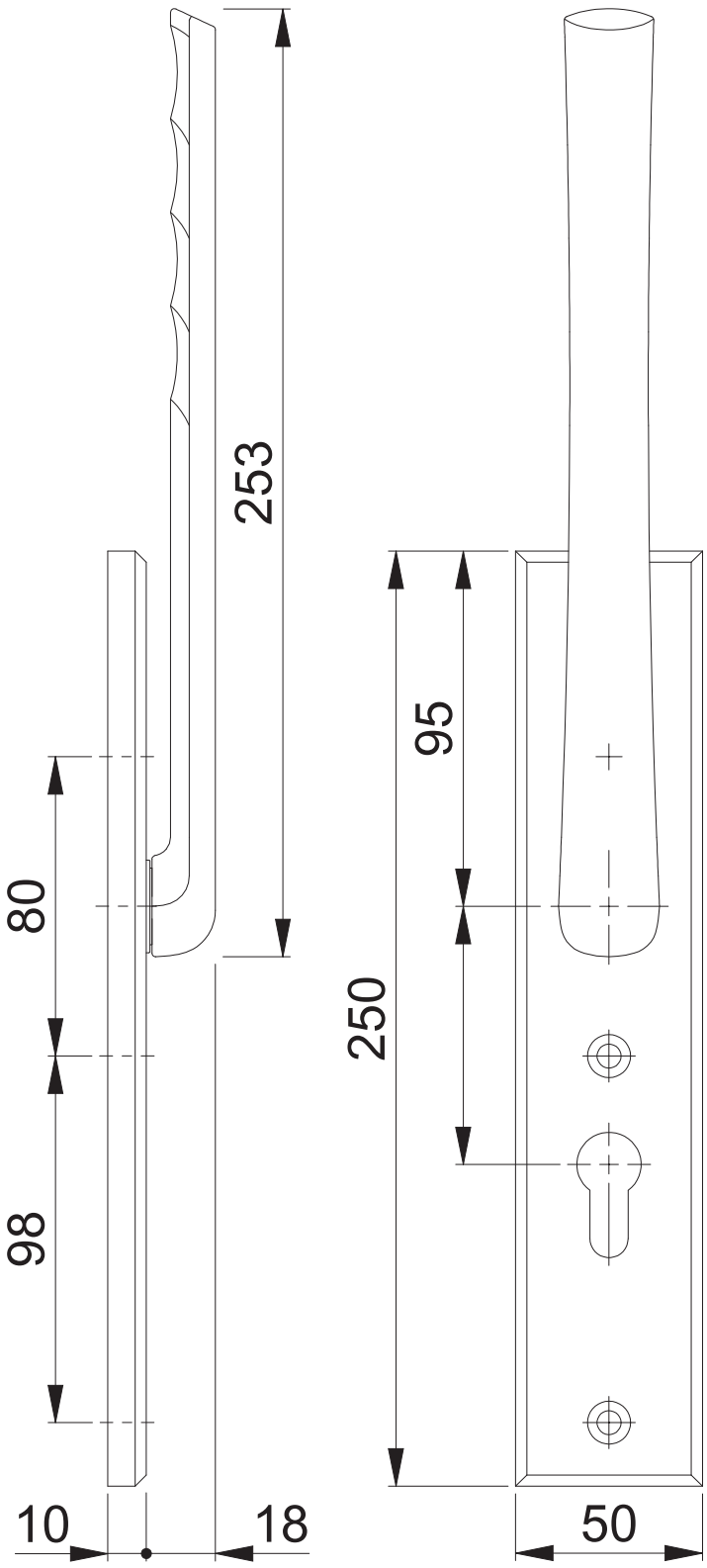
These documents are property of HOPPE AG, D-35260 Stadtlendorf and are protected by both copyright and fair trade law. Any reproduction, reprint, copying, passing on to third parties and whichever use of these documents or parts thereof is prohibited, except with prior written consent of HOPPE.

These documents are property of HOPPE AG, D-35260 Stadtlendorf and are protected by both copyright and fair trade law. Any reproduction, reprint, copying, passing on to third parties and whichever use of these documents or parts thereof is prohibited, except with prior written consent of HOPPE.

Copyright © HOPPE AG

HS-575KH/2214 PZ HG-I

Bearbeitet / Datum
HHA/20.11.20



Maßstab 1:2	Name ASC5	Datum 20.11.2020	Zeichnungsnummer / Quelle c0052012z001	A4 00
----------------	--------------	---------------------	---	-------

Artikel-Schriftfeld-CAD
HS-575KH/2214 SKG***; PZ69; innen

