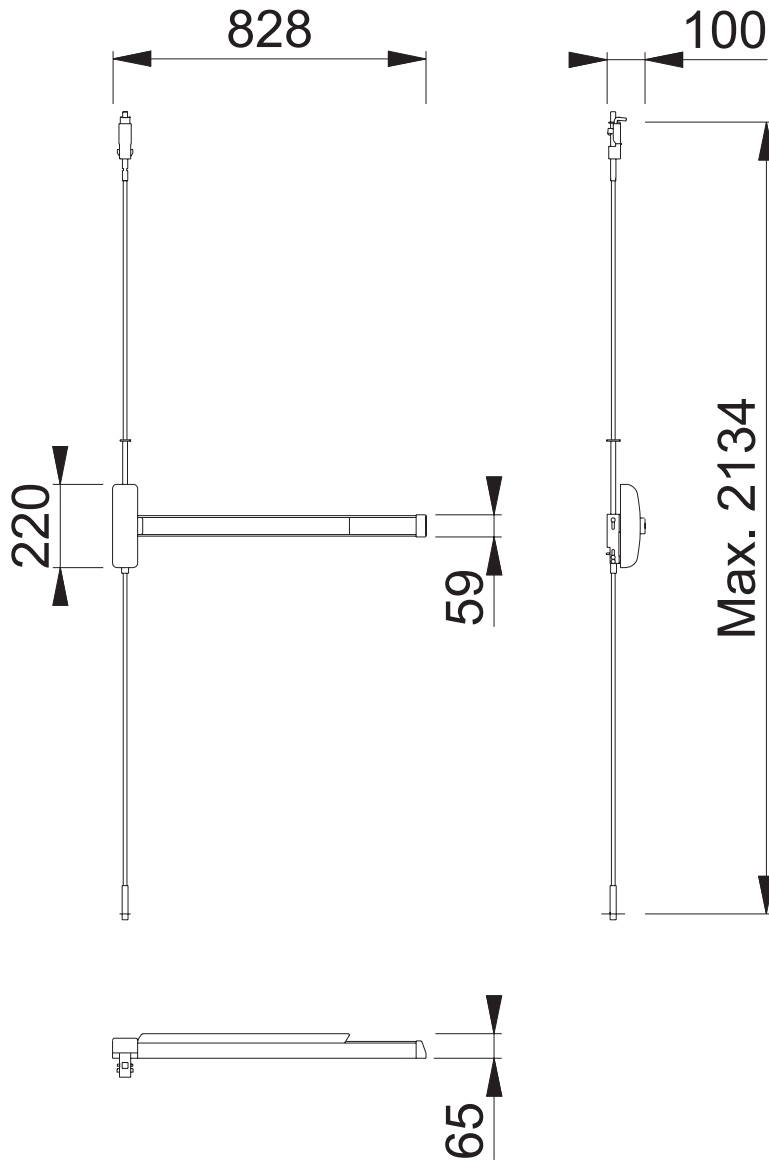


AR9900-C-SD-36 Concealed Vertical Rod Device 36"(914mm)

Worked on / Date (Advertisement)



Copyright © HOPPE AG

These documents are property of HOPPE (UK) LTD, Wolverhampton and are protected by both copyright and fair trade law. Any reproduction, reprint, copying, passing on to third parties and whichever use of these documents or parts thereof is prohibited, except with prior written consent of HOPPE.

Scale 1:2	Name N.A. Taylor	Date 17.05.17	Drawing No. / Source c6062014z000 L400
--------------	---------------------	------------------	---

Article-Titleblock CAD-database  
AR9900-C-SD-36

**ARRONE**<sup>®</sup>  
The complete range.