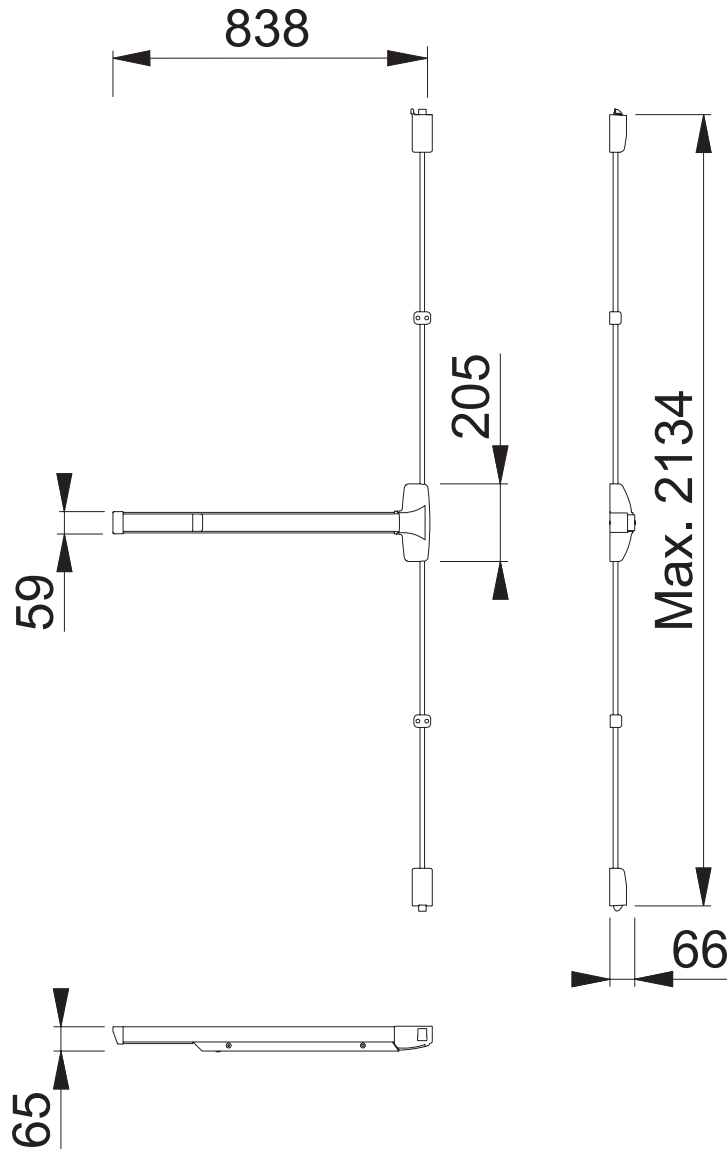


AR9900-36 Panic vertical rod device 36" (914mm)

Worked on / Date (Advertisement)



These documents are property of HOPPE (UK) LTD, Wolverhampton and are protected by both copyright and fair trade law. Any reproduction, reprint, copying, passing on to third parties and whichever use of these documents or parts thereof is prohibited, except with prior written consent of HOPPE.

Copyright © HOPPE AG

Scale	Name	Date	Drawing No. / Source
1:20	N.A. Taylor	12-05-17	c606c2015e001 L400

Article-Titleblock CAD-database
AR9900-36-689

ARRONE[®]
The complete range.