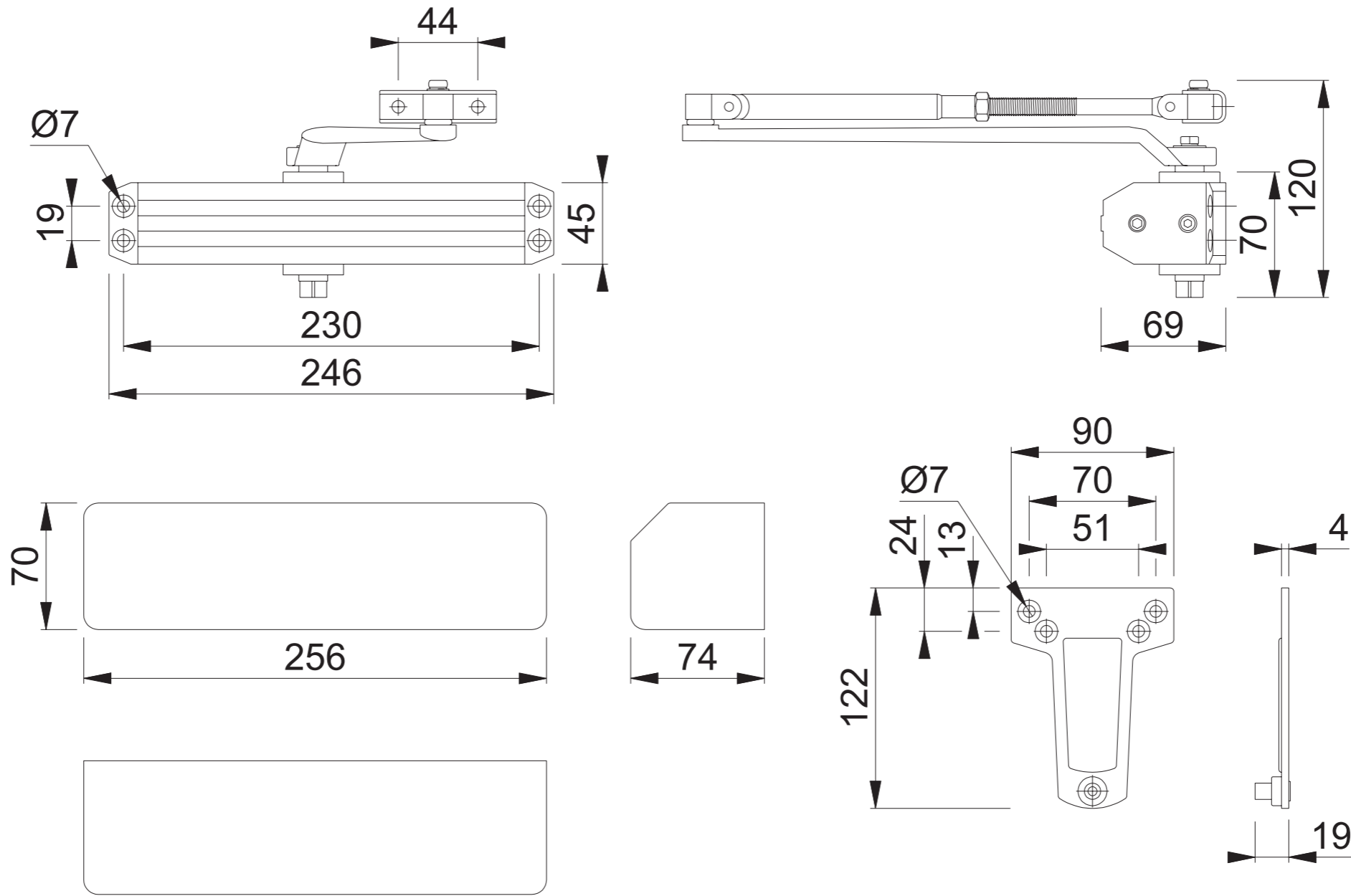


AR9890-C Overhead Door Closer

Worked on / Date (Advertisement)



Copyright © HOPPE AG

These documents are property of HOPPE (UK) LTD, Wolverhampton and are protected by both copyright and fair trade law. Any reproduction, reprint, copying, passing on to third parties and whichever use of these documents or parts thereof is prohibited, except with prior written consent of HOPPE.

Rahmen 2016

Scale	Name	Date	Drawing No. / Source
1:2	N.A. Taylor	14.06.17	c6062018z001 L300
Article-Titleblock CAD-database			
AR9890-C			

ARRONE®
The complete range.

Updated on 17.07.17 U.Kotlorz (Advertising)