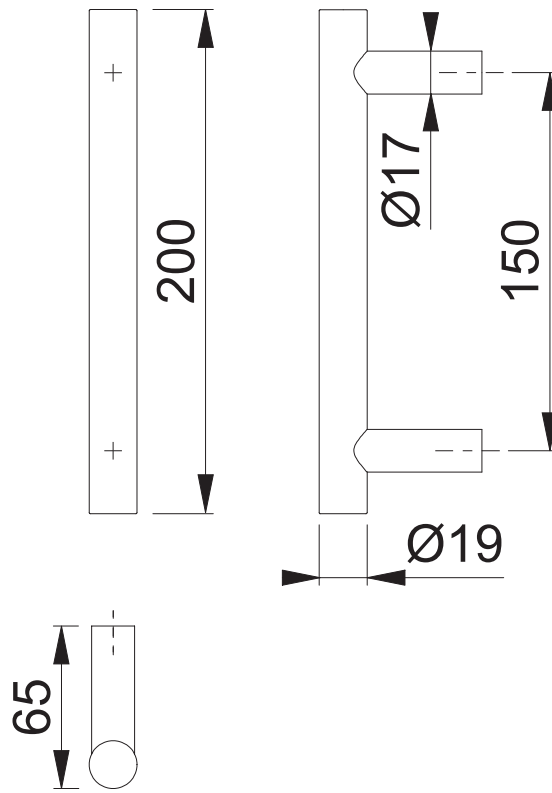


These documents are property of HOPPE (UK) LTD, Wolverhampton and are protected by both copyright and fair trade law. Any reproduction, reprint, copying, passing on to third parties and whichever use of these documents or parts thereof is prohibited, except with prior written consent of HOPPE.

Copyright © HOPPE AG



Scale 1:3	Name R MOTTRAM	Date 11.03.2024	Drawing No. / Source c1382109e003
--------------	-------------------	--------------------	--------------------------------------

Article-Titleblock CAD-database AR9217/150	ARRONE
---	---------------