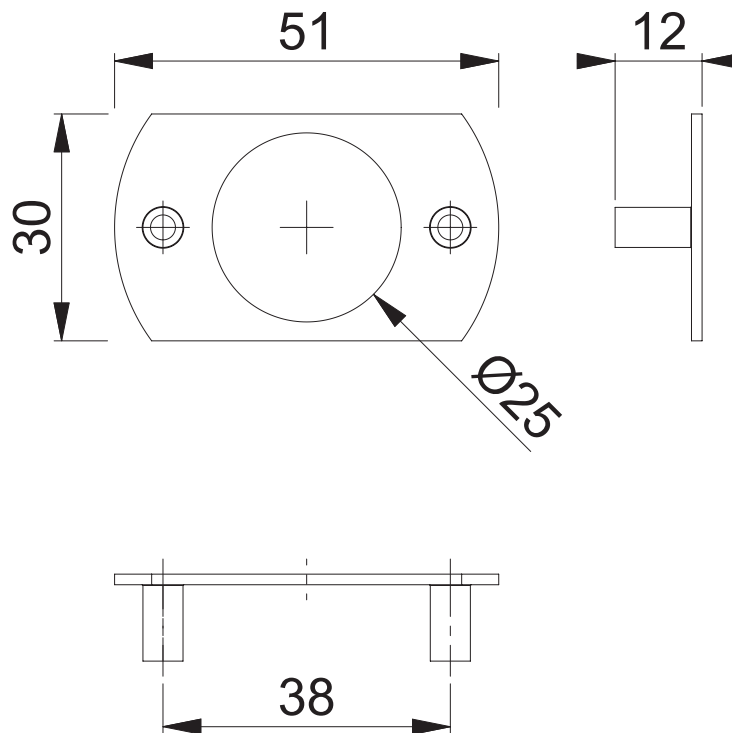


AR914-915-HS-Plate

Worked on / Date (Advertisement)

KKR1/24.09.20



Copyright © HOPPE AG

These documents are property of HOPPE (UK) LTD, Wolverhampton and are protected by both copyright and fair trade law. Any reproduction, reprint, copying, passing on to third parties and whichever use of these documents or parts thereof is prohibited, except with prior written consent of HOPPE.

Scale 1:1	Name DSA	Date 18.08.20	Drawing No. / Source c0802029e001 L400
--------------	-------------	------------------	---

Article-Titleblock CAD-database
AR914/AR915-HS-PLATE

ARRONE[®]
The complete range.