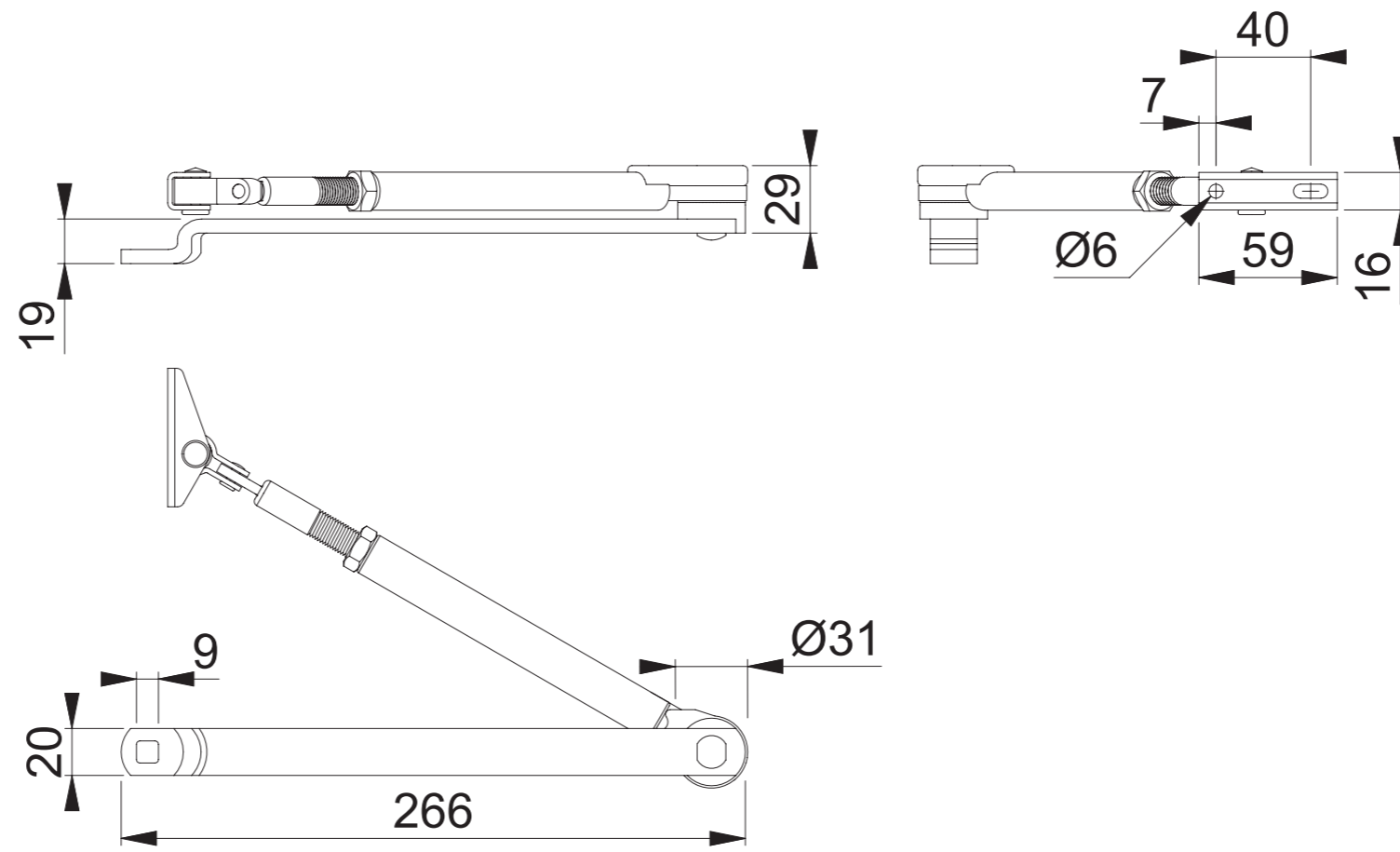


AR8200-ARM (Hold Open Arm Fig.1 and Fig.61)

Worked on / Date (Advertisement)



These documents are property of HOPPE (UK) LTD, Wolverhampton and are protected by both copyright and fair trade law. Any reproduction, reprint, copying, passing on to third parties and whichever use of these documents or parts thereof is prohibited, except with prior written consent of HOPPE.

Copyright © HOPPE AG

Rahmen 2016

Scale	Name	Date	Drawing No. / Source
1:2	D.Savage	08.02.18	c0632041g001 L300
Article-Titleblock CAD-database			
AR8200 HOA			

ARRONE[®]
The complete range.

Updated on 26.02.18 K.Kraft (Advertising)