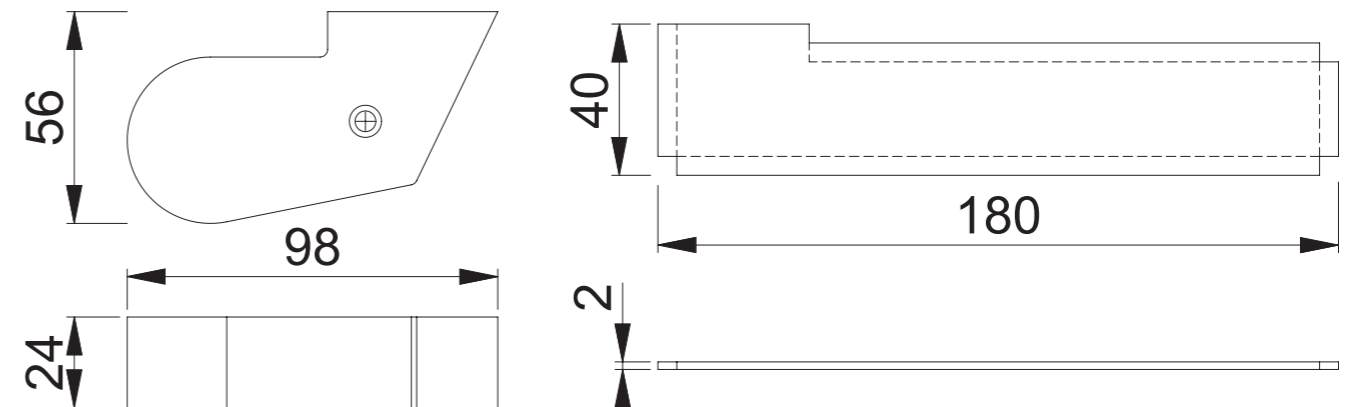
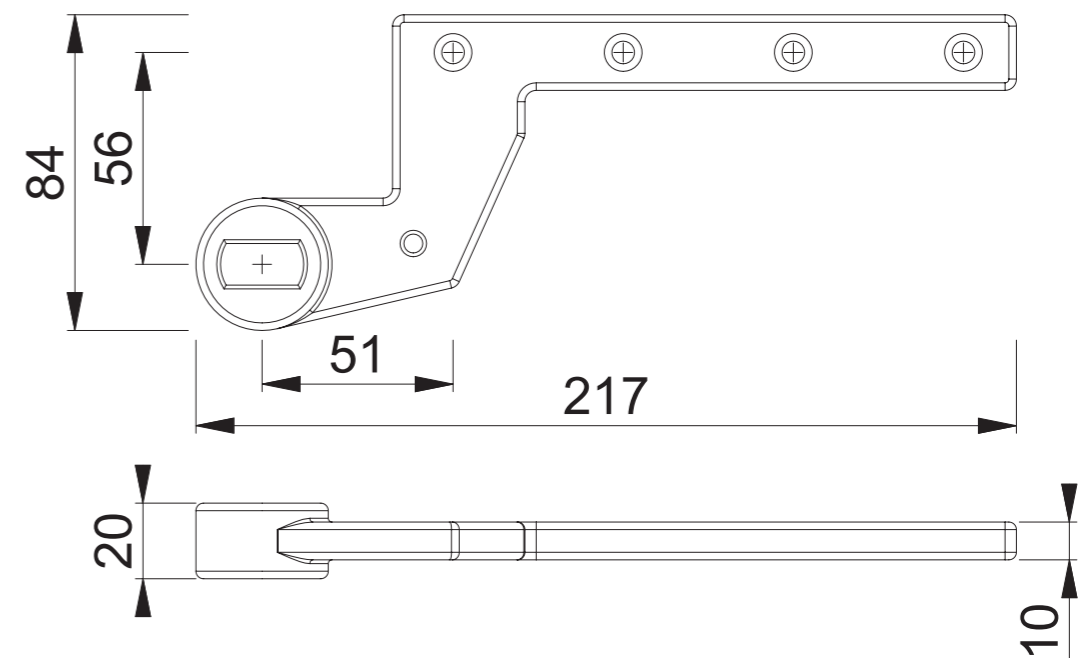
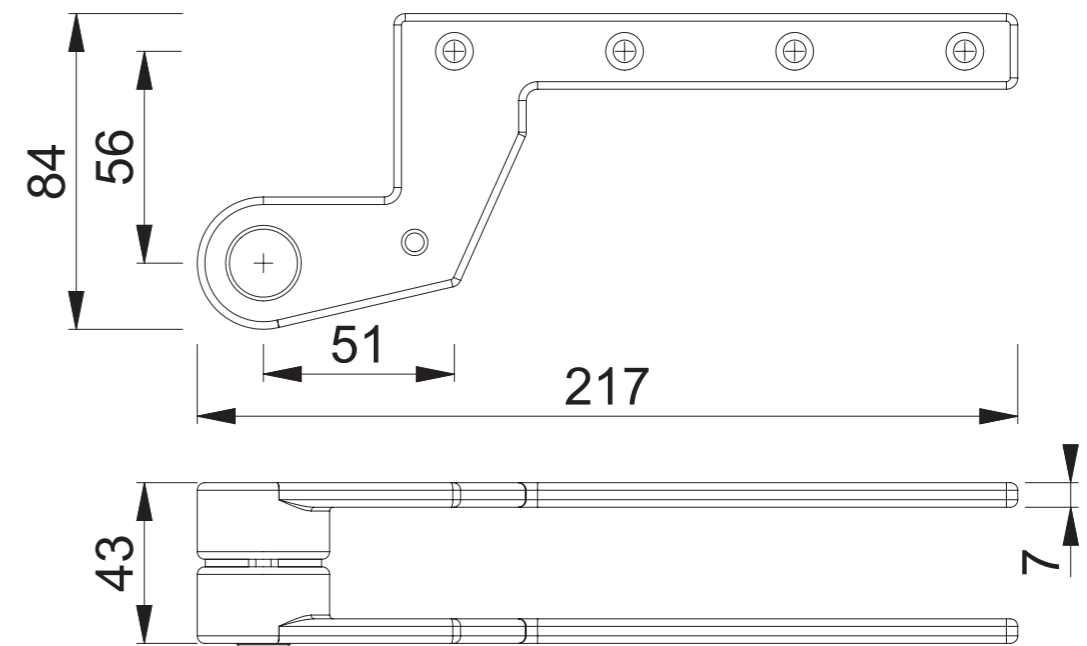
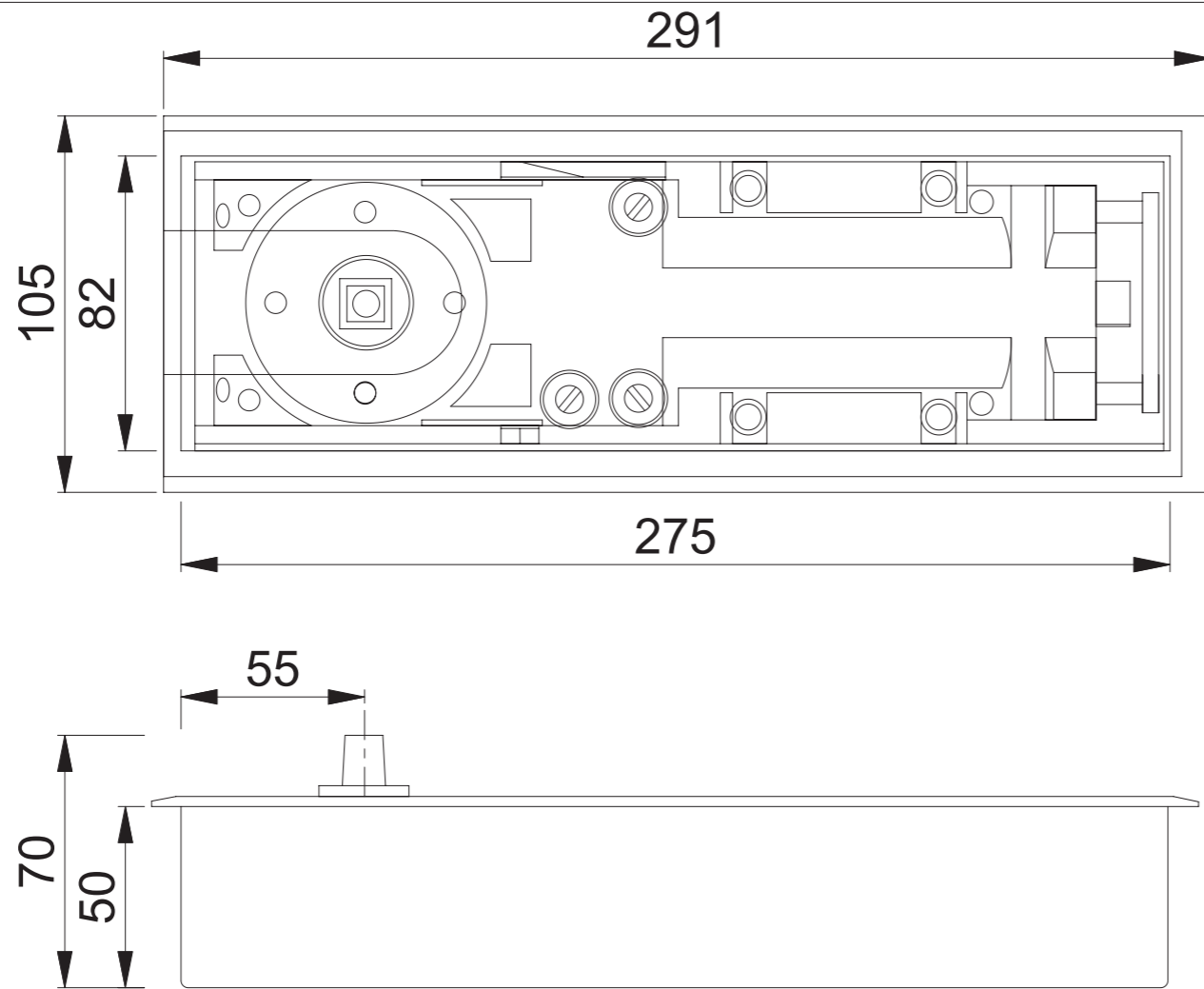


# AR760-SA (Power Adjustable Floor Spring 1-4 Single Action)

Worked on / Date (Advertisement)

KKR1/04.02.19



These documents are property of HOPPE (UK) LTD, Wolverhampton and are protected by both copyright and fair trade law. Any reproduction, reprint, copying, passing on to third parties and whichever use of these documents or parts thereof is prohibited, except with prior written consent of HOPPE.

Copyright © HOPPE AG

Rahmen 2016

Scale 1:2	Name D.Savage	Date 18.01.19	Drawing No. / Source c6062131z000 L300	<b>ARRONE</b> The complete range.
Article-Titleblock CAD-database AR760-SA				