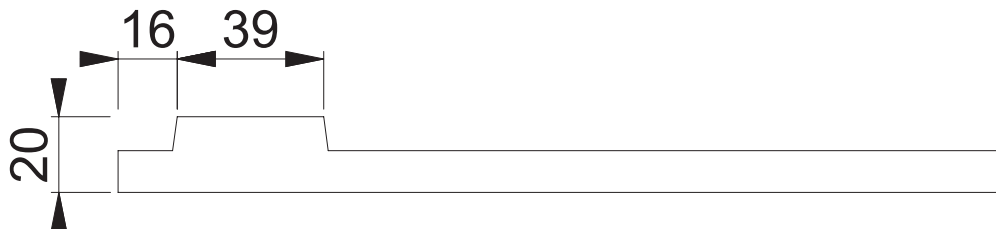
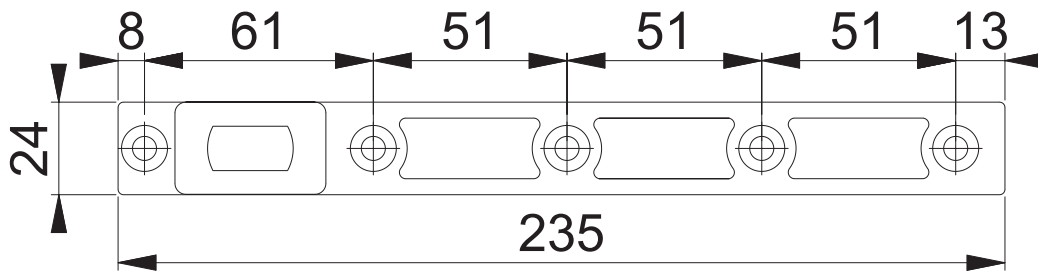
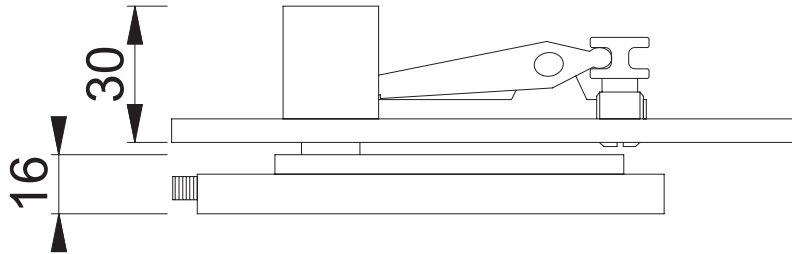
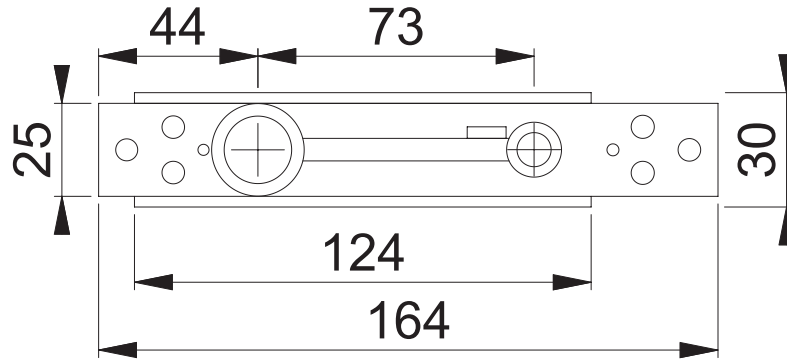


AR760-ACC-DA (Double Action Accessory Pack)

Worked on / Date (Advertisement)

KKR1/18.02.19



Copyright © HOPPE AG

These documents are property of HOPPE (UK) LTD, Wolverhampton and are protected by both copyright and fair trade law. Any reproduction, reprint, copying, passing on to third parties and whichever use of these documents or parts thereof is prohibited, except with prior written consent of HOPPE.

Scale 1:2	Name D.Savage	Date 17.01.19	Drawing No. / Source c6062133g001 L400
--------------	------------------	------------------	---

Article-Titleblock CAD-database
AR760-ACC-DA

ARRONE[®]
The complete range.