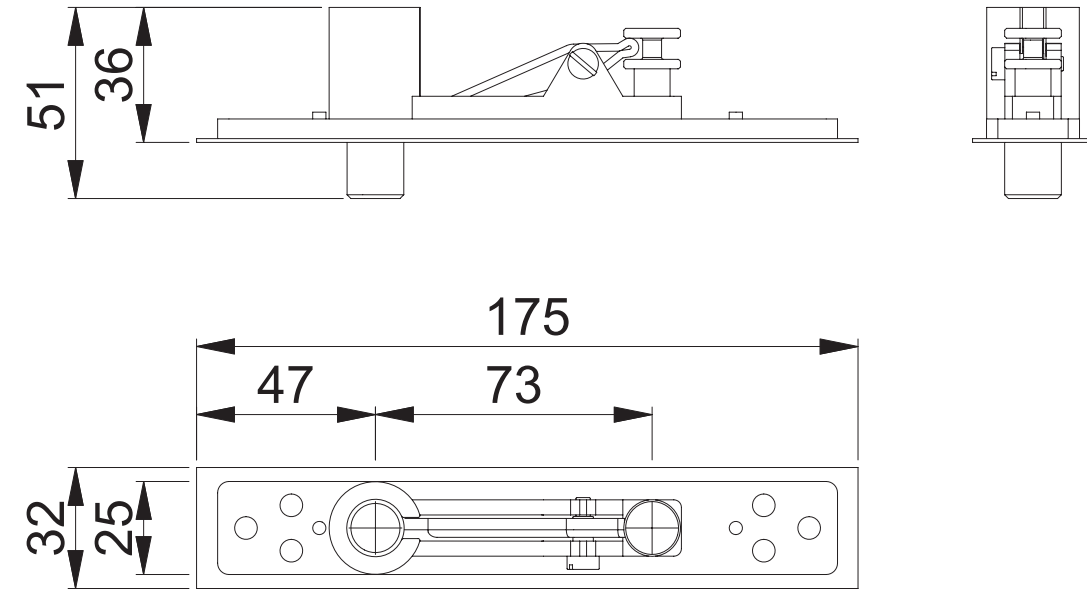
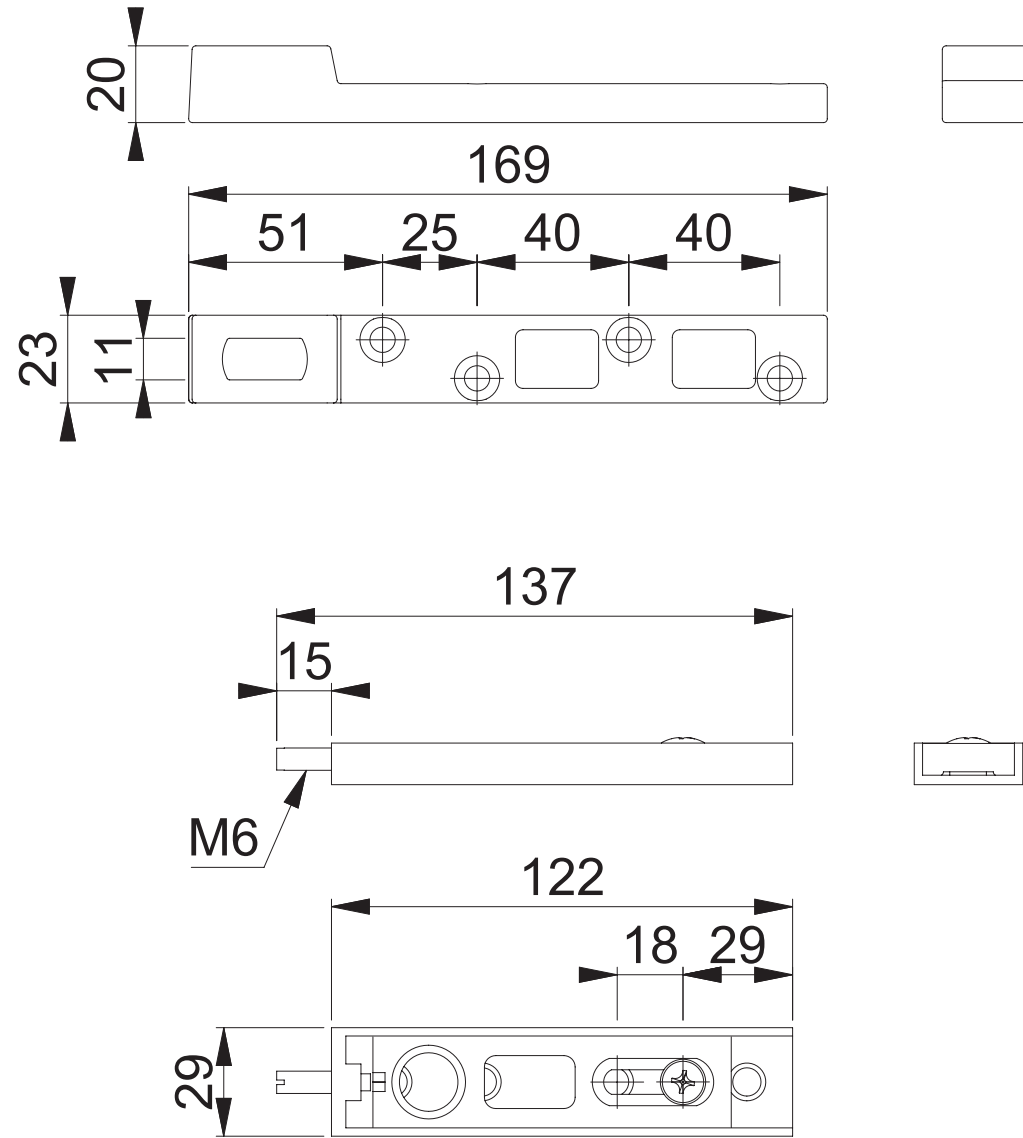


AR700-ACC-DA (Double Action Accessory Pack)

Worked on / Date (Advertisement)



These documents are property of HOPPE (UK) LTD, Wolverhampton and are protected by both copyright and fair trade law. Any reproduction, reprint, copying, passing on to third parties and whichever use of these documents or parts thereof is prohibited, except with prior written consent of HOPPE.

Copyright © HOPPE AG

Rahmen 2016

Scale	Name	Date	Drawing No. / Source
1:2	D.Savage	22.02.2018	c6062090g002 L300
Article-Titleblock CAD-database			ARRONE [®] The complete range.
AR-FS-AP-02			

Updated on 05.03.18 K.Kraft (Advertising)