

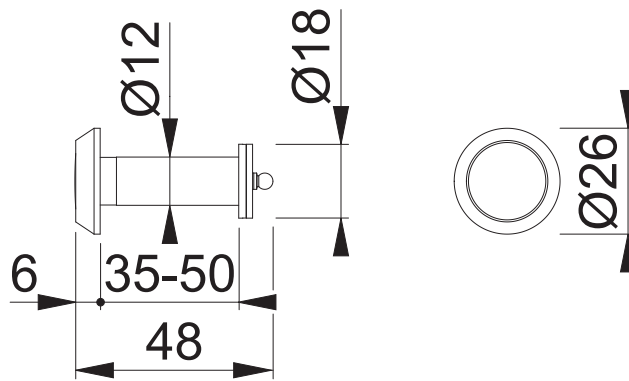
AR539C (Door Viewer)

Worked on / Date (Advertisement)

KKR1/02.07.26

Copyright © HOPPE AG

These documents are property of HOPPE (UK) LTD, Wolverhampton and are protected by both copyright and fair trade law. Any reproduction, reprint, copying, passing on to third parties and whichever use of these documents or parts thereof is prohibited, except with prior written consent of HOPPE.



Scale

1:2

Name

DSA

Date

12.12.23

Drawing No. / Source

c0142009z007

L400

Article-Titleblock CAD-database

AR539C (AR539)

ARRONE