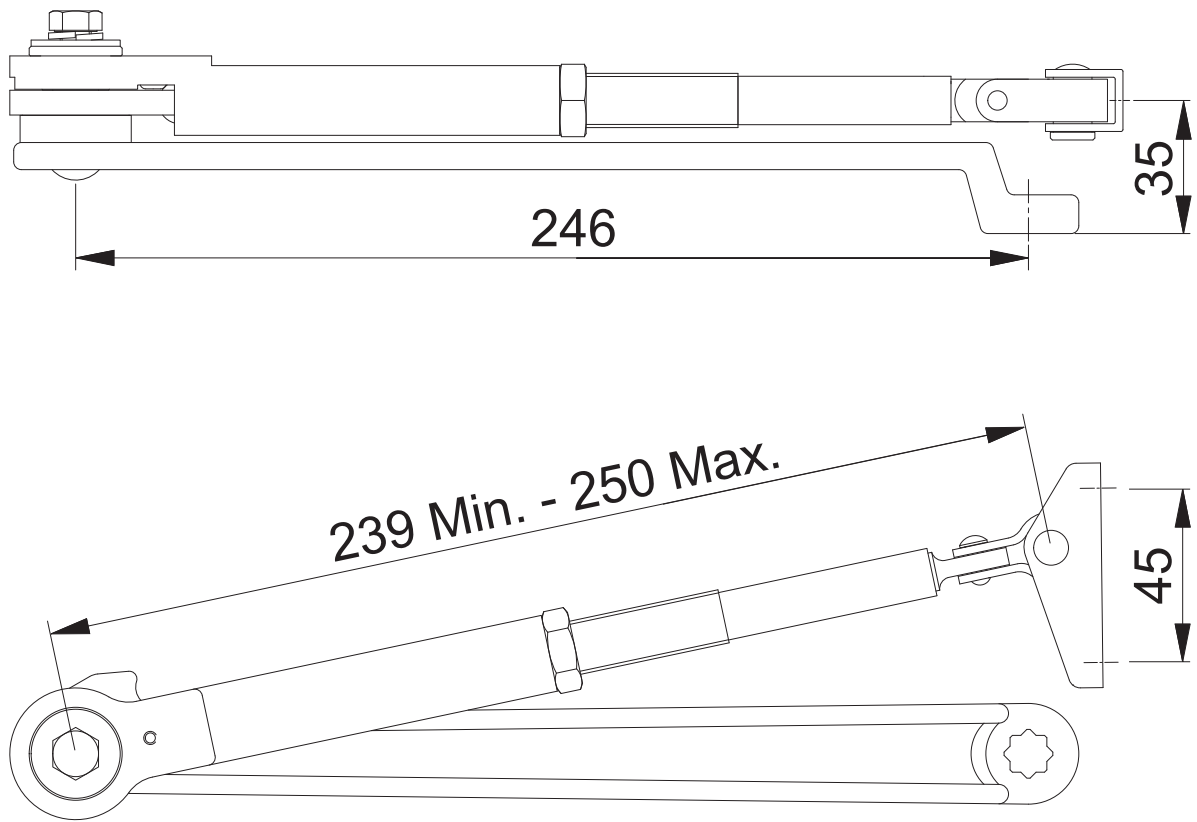


AR5200-AR5500-ARM-HO

Worked on / Date (Advertisement)

KKR1/02.01.24



These documents are property of HOPPE (UK) LTD, Wolverhampton and are protected by both copyright and fair trade law. Any reproduction, reprint, copying, passing on to third parties and whichever use of these documents or parts thereof is prohibited, except with prior written consent of HOPPE.

Copyright © HOPPE AG

Scale	Name	Date	Drawing No. / Source
1:2	DSA	18.12.23	c0632022g001 L400

Article-Titleblock CAD-database
AR5200-AR5500-ARM-HO

ARRONE[®]
The complete range.