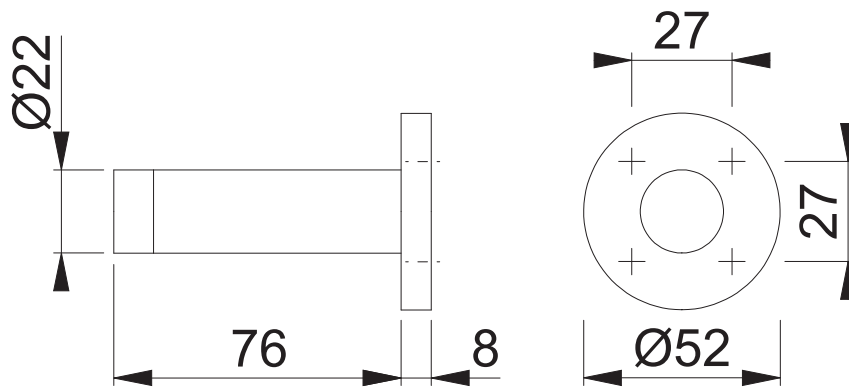


# AR334A (Door Stop on Concealed Rose)

Worked on / Date (Advertisement)

HHA/21.11.25



Copyright © HOPPE AG

These documents are property of HOPPE (UK) LTD, Wolverhampton and are protected by both copyright and fair trade law. Any reproduction, reprint, copying, passing on to third parties and whichever use of these documents or parts thereof is prohibited, except with prior written consent of HOPPE.

Scale

1:2

Name

JRE

Date

07.04.15

Drawing No. / Source

c1492003e001

L400

Article-Titleblock CAD-database

AR334A (AR334)

**ARRONE**