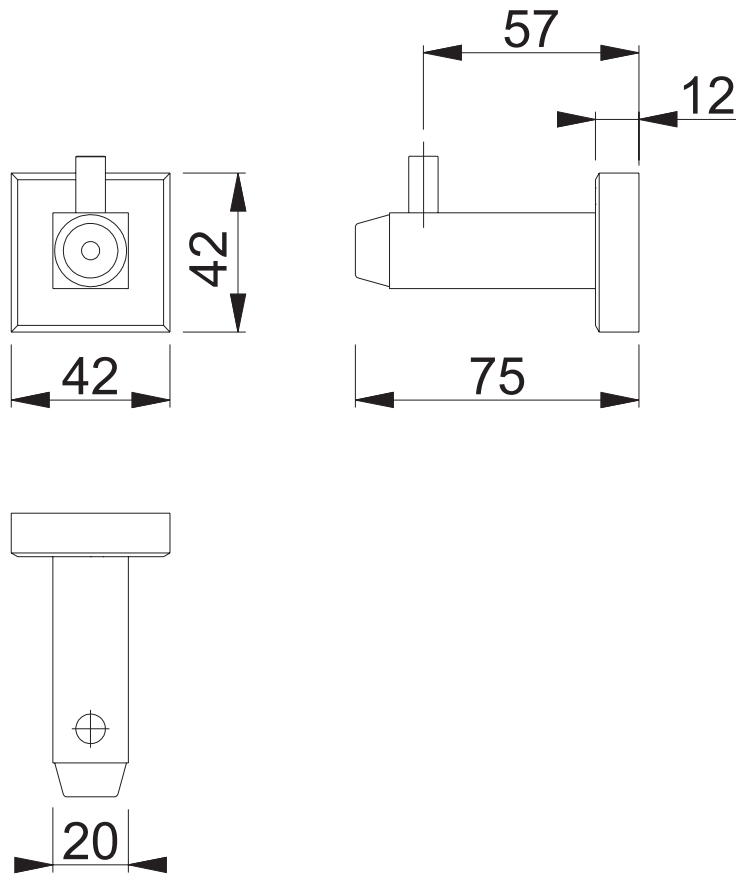


AR322 Buffered Coat Hook

Worked on / Date (Advertisement)



HOPPE AG

Copyright ©

These documents are property of HOPPE (UK) LTD, Wolverhampton and are protected by both copyright and fair trade law. Any reproduction, reprint, copying, passing on to third parties and whichever use of these documents or parts thereof is prohibited, except with prior written consent of HOPPE.

Scale	Name	Date	Drawing No. / Source	
1:2	N.A. Taylor	06.07.17	c6062034e001	L400

Article-Titleblock CAD-database
AR322

ARRONE[®]
The complete range.