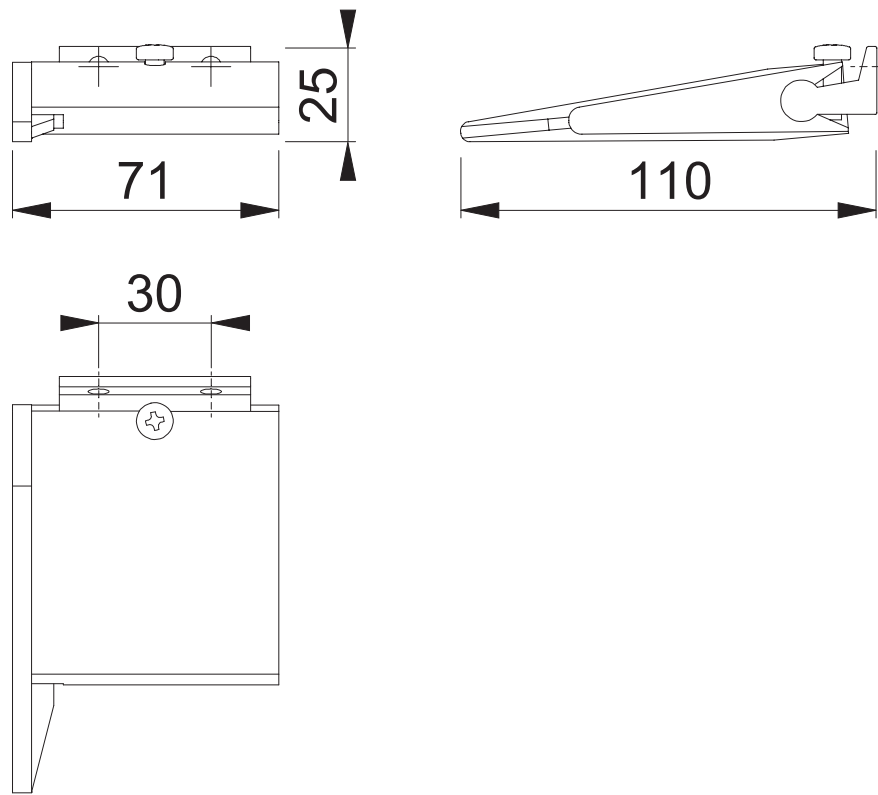


AR226-MK2 (Door Selector)

Worked on / Date (Advertisement)

HHA/26.06.26



Copyright © HOPPE AG

These documents are property of HOPPE (UK) LTD, Wolverhampton and are protected by both copyright and fair trade law. Any reproduction, reprint, copying, passing on to third parties and whichever use of these documents or parts thereof is prohibited, except with prior written consent of HOPPE.

Scale	Name	Date	Drawing No. / Source
1:2	JRE	28.04.15	c0632028z000 L400

Article-Titleblock CAD-database
AR226-MK2

ARRONE