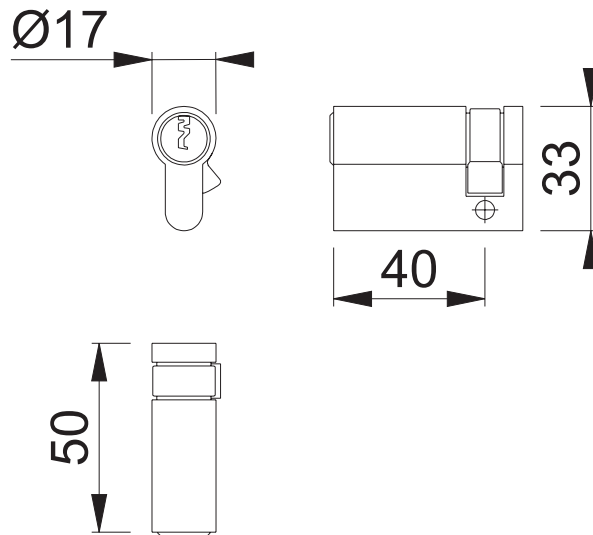


AR-KD/682-50 (50mm Single Euro Profile Cylinder)



These documents are property of HOPPE (UK), Wolverhampton and are protected by both copyright and fair trade law. Any reproduction, reprint, copying, passing on to third parties and whichever use of these documents or parts thereof is prohibited, except with prior written consent of HOPPE.

Scale
1:2

Name
N.A.Taylor

Date
08.12.15

Drawing No:

c1212048e001

ARRONE[®]
The Complete Range