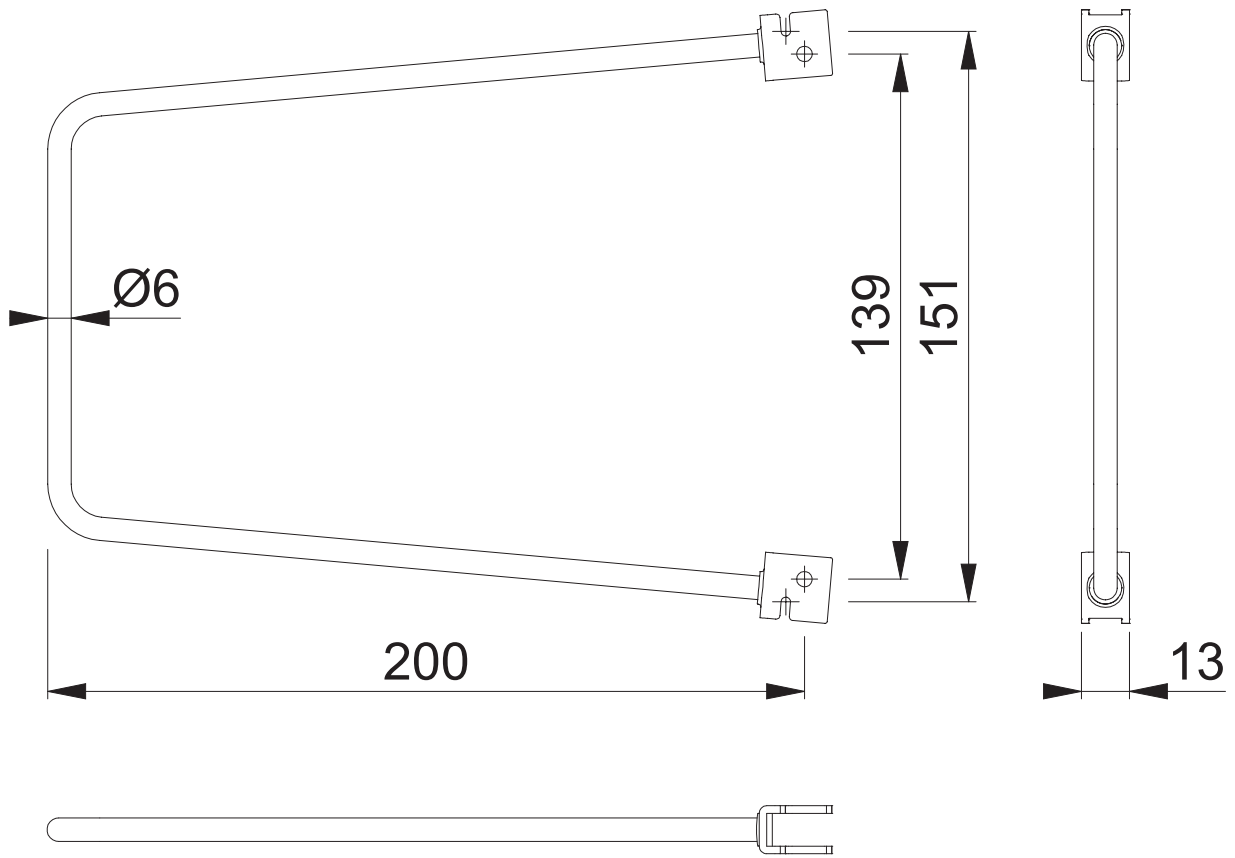


# AR-FB200 (Flexible Book End)

Worked on / Date (Advertisement)

HHA/18.11.25



Copyright © HOPPE AG

These documents are property of HOPPE (UK) LTD, Wolverhampton and are protected by both copyright and fair trade law. Any reproduction, reprint, copying, passing on to third parties and whichever use of these documents or parts thereof is prohibited, except with prior written consent of HOPPE.

Scale 1:2	Name JRE	Date 10.03.15	Drawing No. / Source c9502012e001 L400
--------------	-------------	------------------	---

Article-Titleblock CAD-database

AR-FB200 (AR-FL-B-END)

**ARRONE**