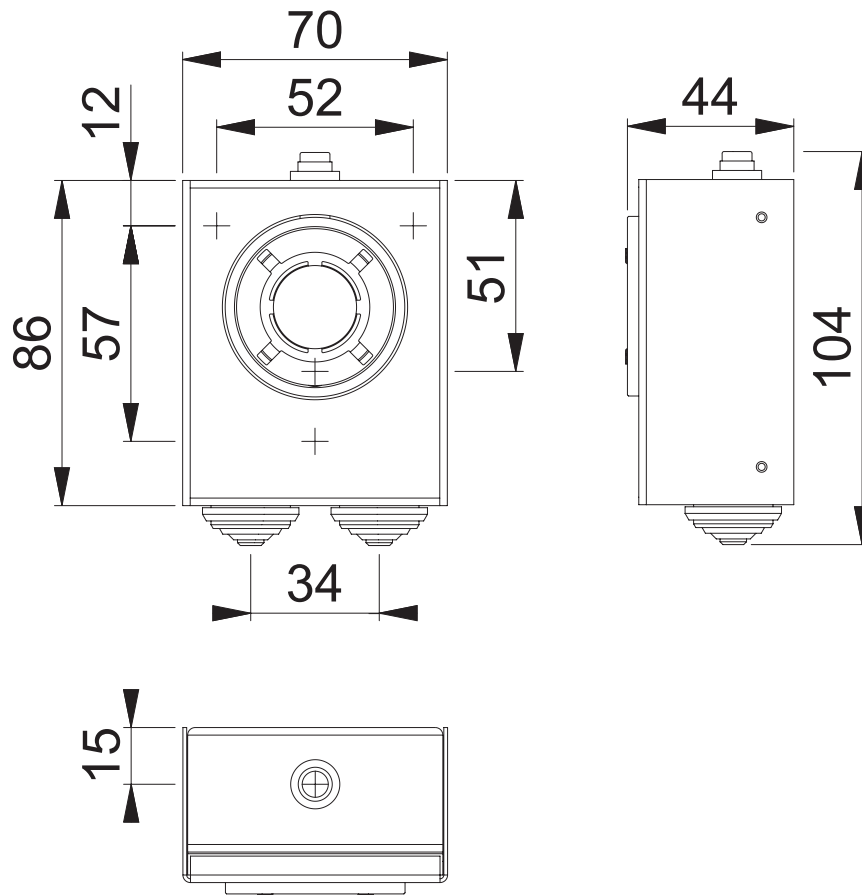


White Door Retaining Magnet

Worked on / Date (Advertisement)

S. Stecher, 14.09.2017



Copyright © HOPPE AG

These documents are property of HOPPE (UK) LTD, Wolverhampton and are protected by both copyright and fair trade law. Any reproduction, reprint, copying, passing on to third parties and whichever use of these documents or parts thereof is prohibited, except with prior written consent of HOPPE.

Scale	Name	Date	Drawing No. / Source
1:2	D.Savage	30.08.17	c6062048g001

Article-Titleblock CAD-database
AR/E-VIRA5

ARRONE[®]
The complete range.