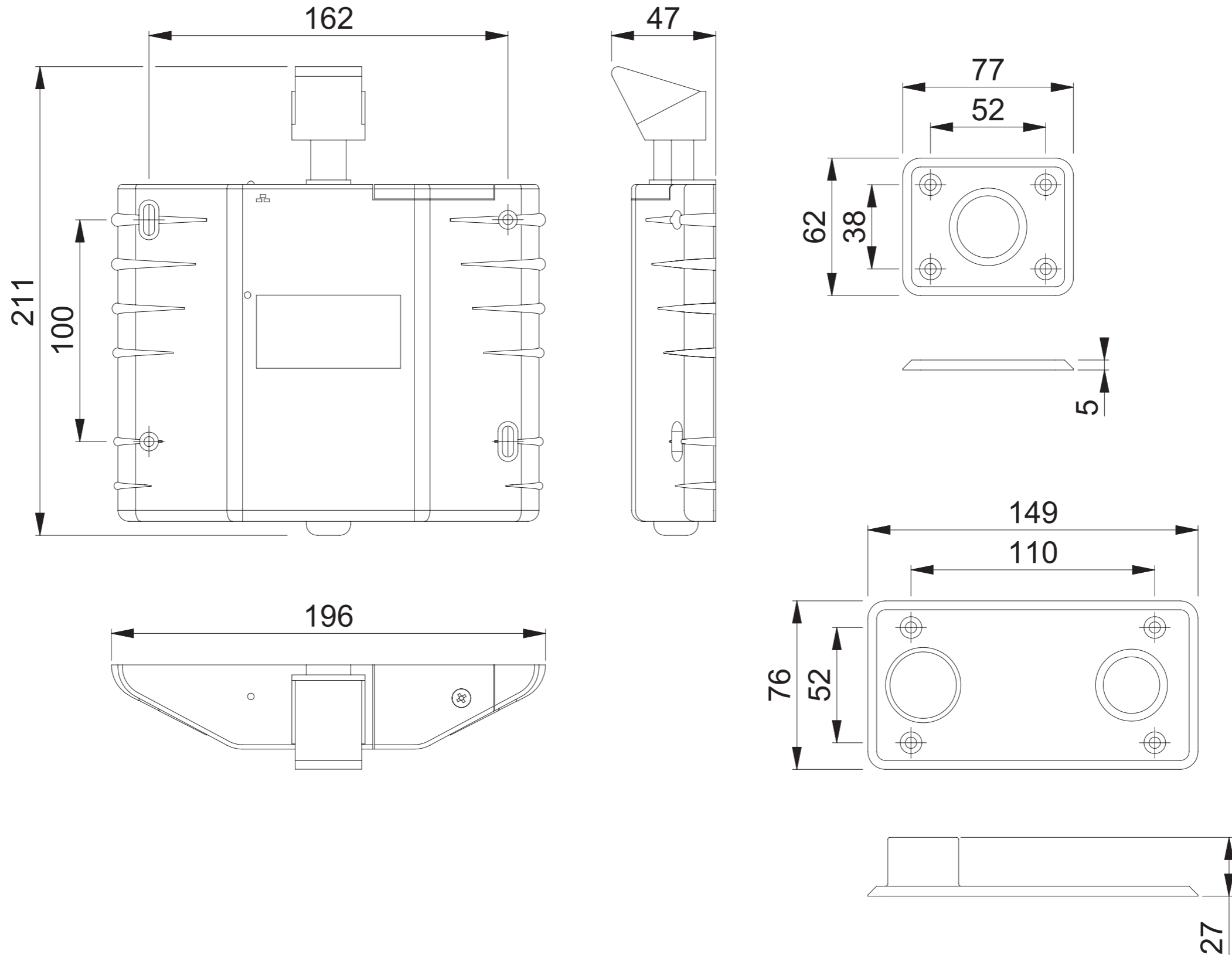


AR/E-DG2000 Fire Door Retainer

Worked on / Date (Advertisement)



These documents are property of HOPPE (UK) LTD, Wolverhampton and are protected by both copyright and fair trade law. Any reproduction, reprint, copying, passing on to third parties and whichever use of these documents or parts thereof is prohibited, except with prior written consent of HOPPE.

Copyright © HOPPE AG

Rahmen 2016

Scale	Name	Date	Drawing No. / Source
1:2	D.Savage	03.10.17	c6062069z000 L300
Article-Titleblock CAD-database			ARRONE® The complete range.
AR/E-DG2000			

Updated on 13.11.17 U.Kotlorz (Advertising)