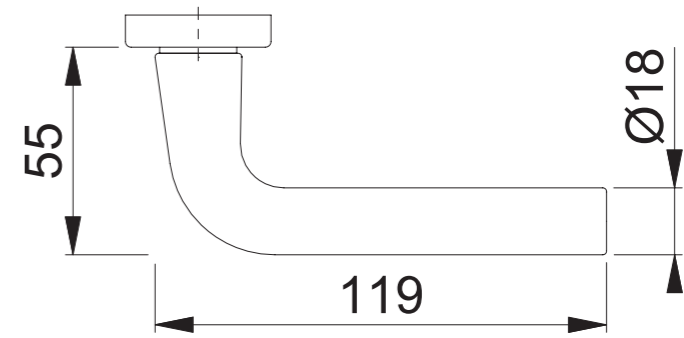
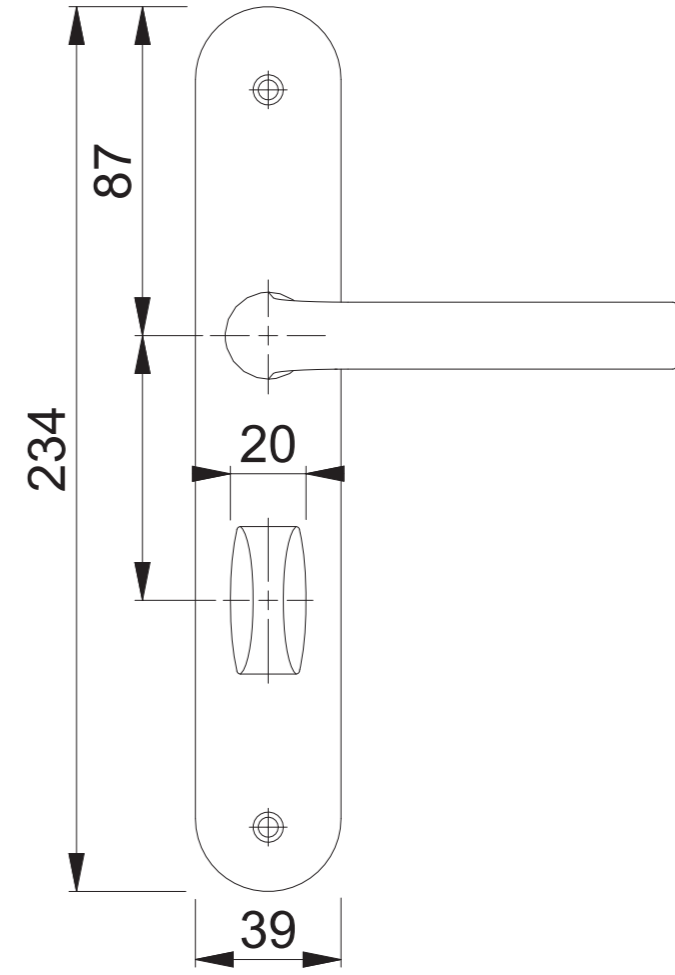
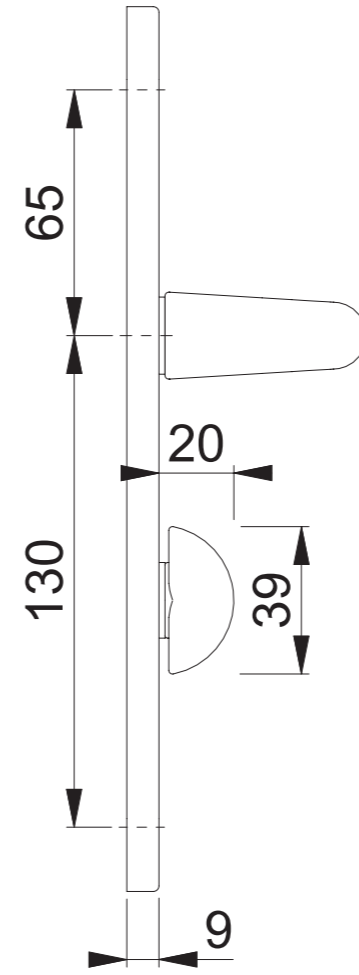
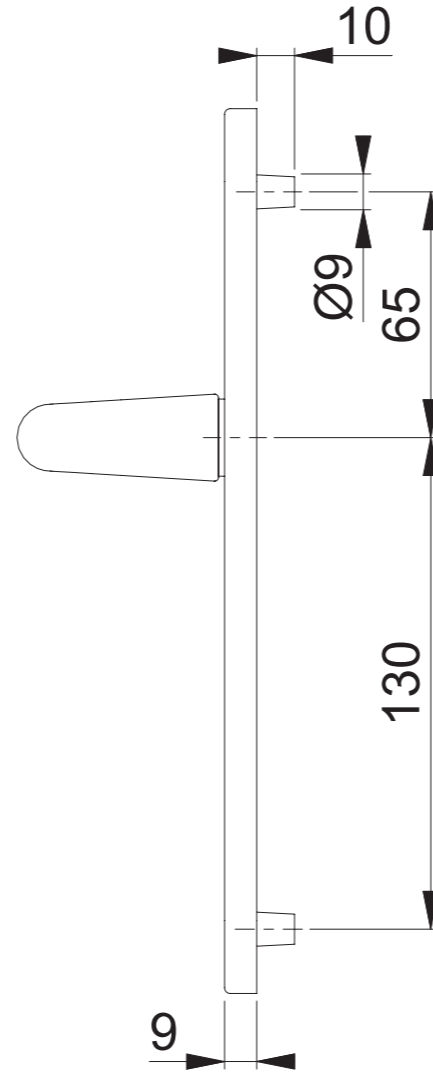
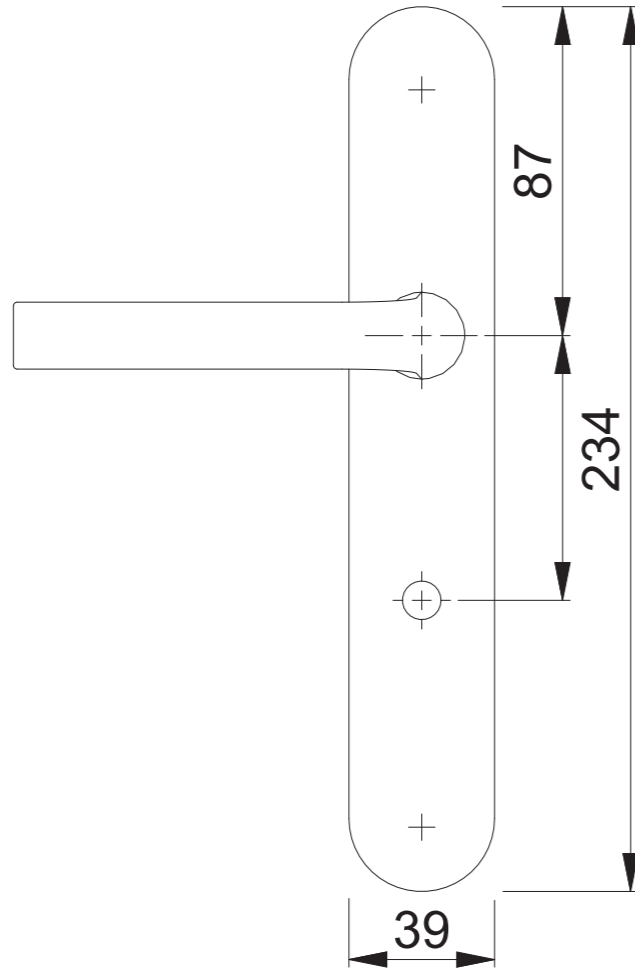
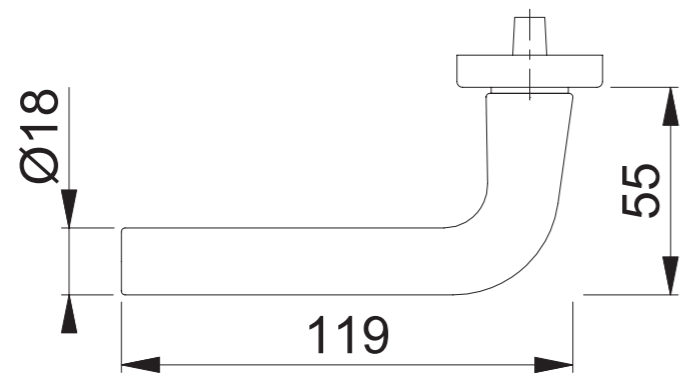


197L/300M/300F DL/OL (DL/OL92)



| | | | | | |
|----------------|--------------------|---------------------|----------------------------------|------|--------------|
| Maßstab 1:2 | Name Schultheis | Datum 25.09.2012 | Zeichnungsnummer c0022938z002 | A300 | HOPPE |
|----------------|--------------------|---------------------|----------------------------------|------|--------------|