

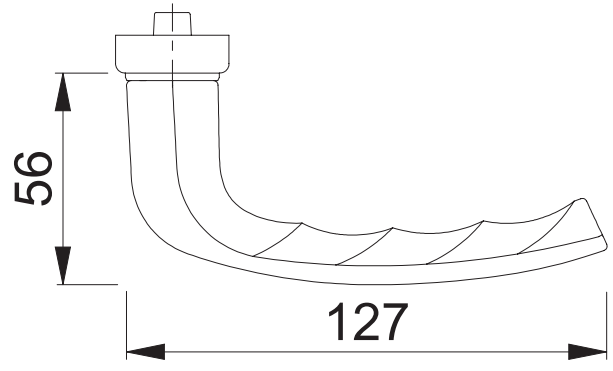
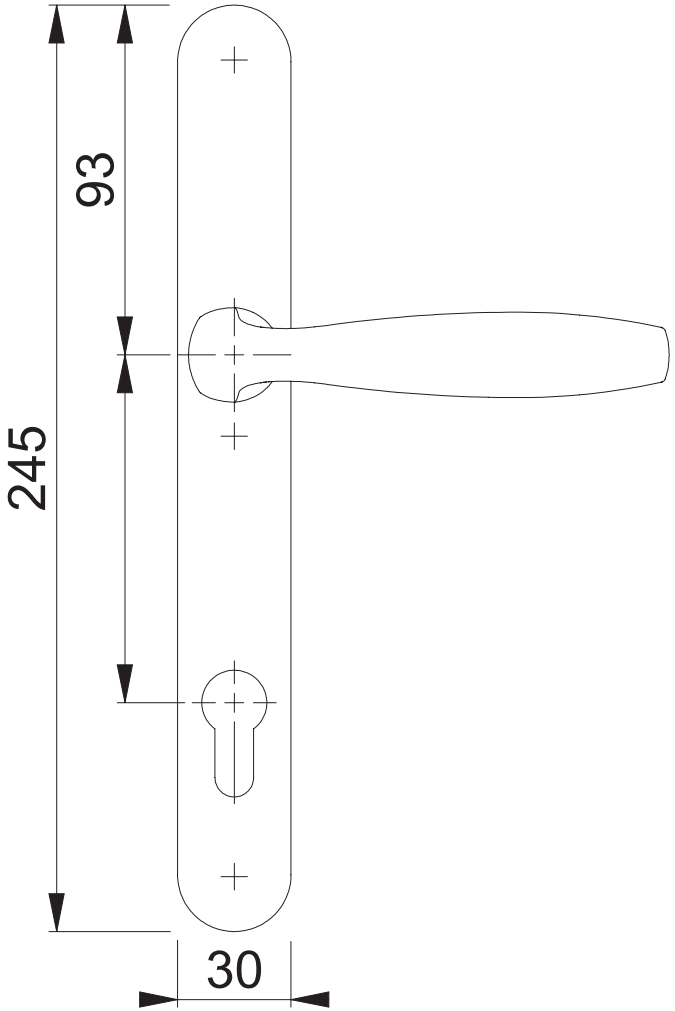
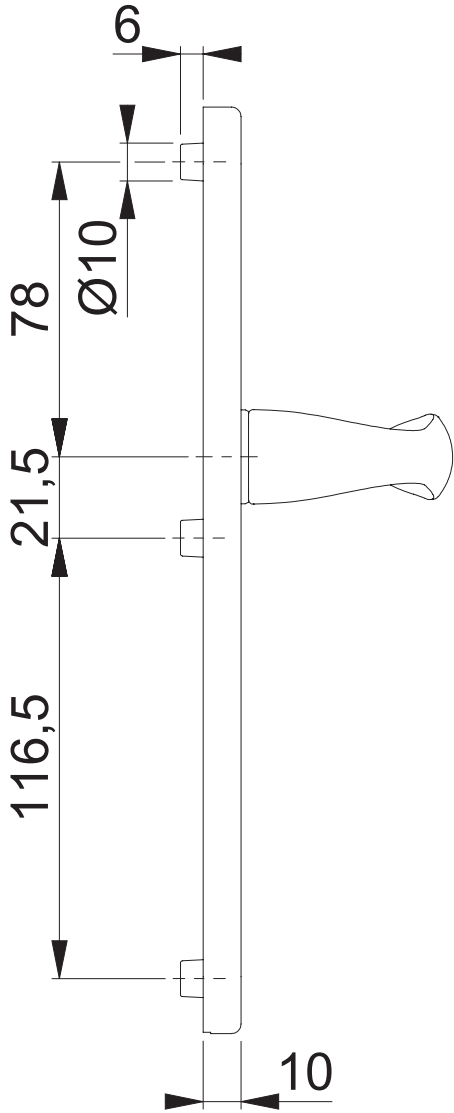
These documents are property of HOPPE AG, D-35260 Stadtlendorf and are protected by both copyright and fair trade law. Any reproduction, reprint, copying, passing on to third parties and whichever use of these documents or parts thereof is prohibited, except with prior written consent of HOPPE.

These documents are property of HOPPE AG, D-35260 Stadtlendorf and are protected by both copyright and fair trade law. Any reproduction, reprint, copying, passing on to third parties and whichever use of these documents or parts thereof is prohibited, except with prior written consent of HOPPE.

Copyright © HOPPE AG

1810/3347N PZ HG-I

Bearbeitet / Datum
LWE/16.04.18



Maßstab 1:2	Name ASC5	Datum 09.04.2018	Zeichnungsnummer / Quelle c0023324z001	A4 00	
Artikel-Schriftfeld-CAD 1810/3347N PZ92; SST; innen					