

These documents are property of HOPPE AG, D-35260 Stadtlendorf and are protected by both copyright and fair trade law. Any reproduction, reprint, copying, passing on to third parties and whichever use of these documents or parts thereof is prohibited, except with prior written consent of HOPPE.

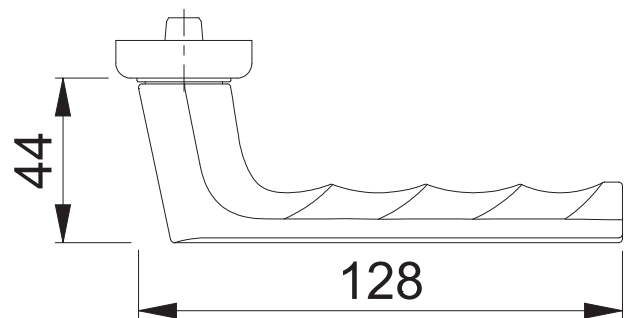
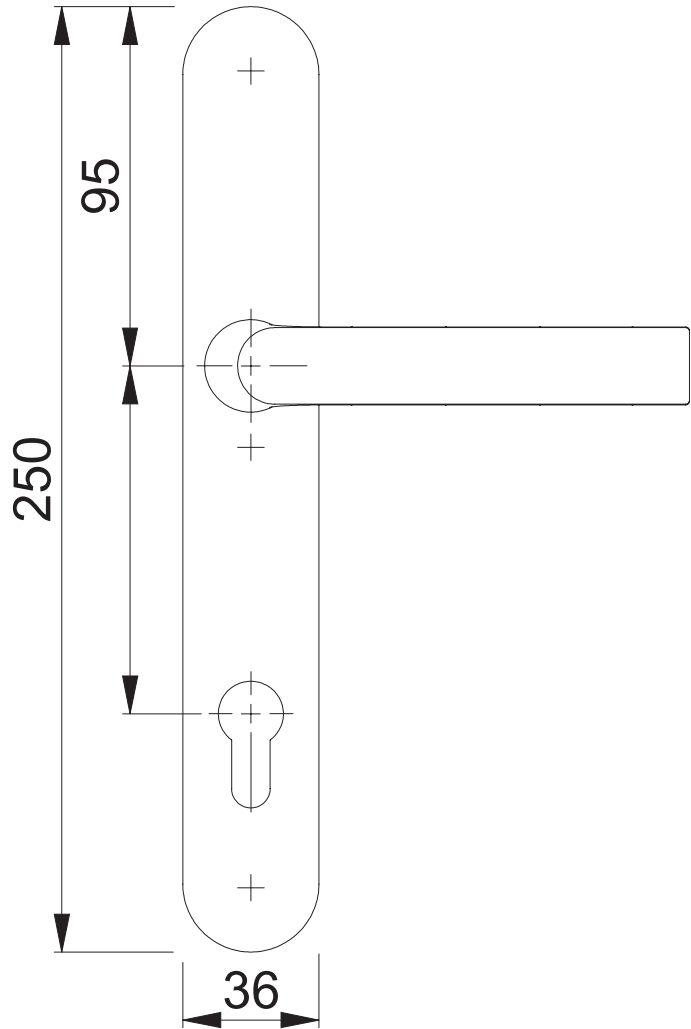
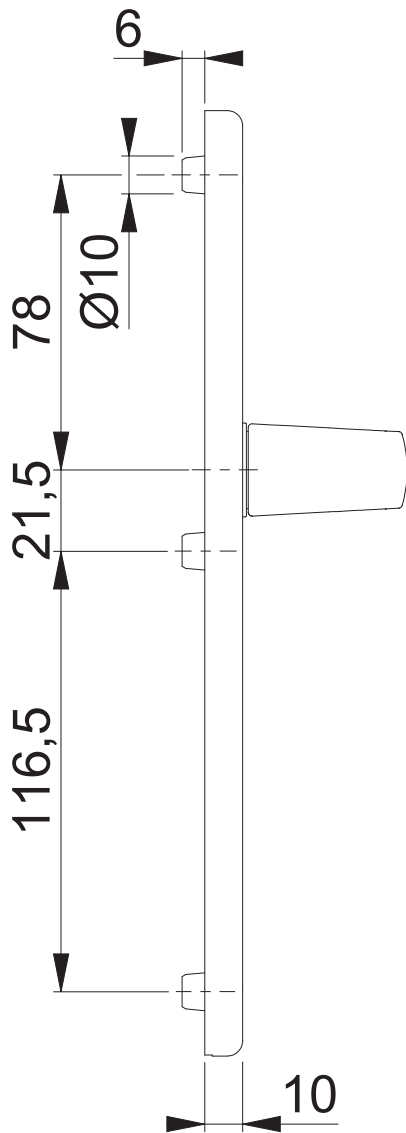
These documents are property of HOPPE AG, D-35260 Stadtlendorf and are protected by both copyright and fair trade law. Any reproduction, reprint, copying, passing on to third parties and whichever use of these documents or parts thereof is prohibited, except with prior written consent of HOPPE.

Copyright © HOPPE AG

1700FA/3357N PZ HG-I

Bearbeitet / Datum

HHH/15.09.23



Maßstab 1:2	Name SST	Datum 13.09.23	Zeichnungsnummer / Quelle c0022141z014	R 00	
Artikel-Schriftfeld-CAD 1700FA/3357N (3357N-RF) f/d innen			Zeichnungsnummer / Quelle (alt)		