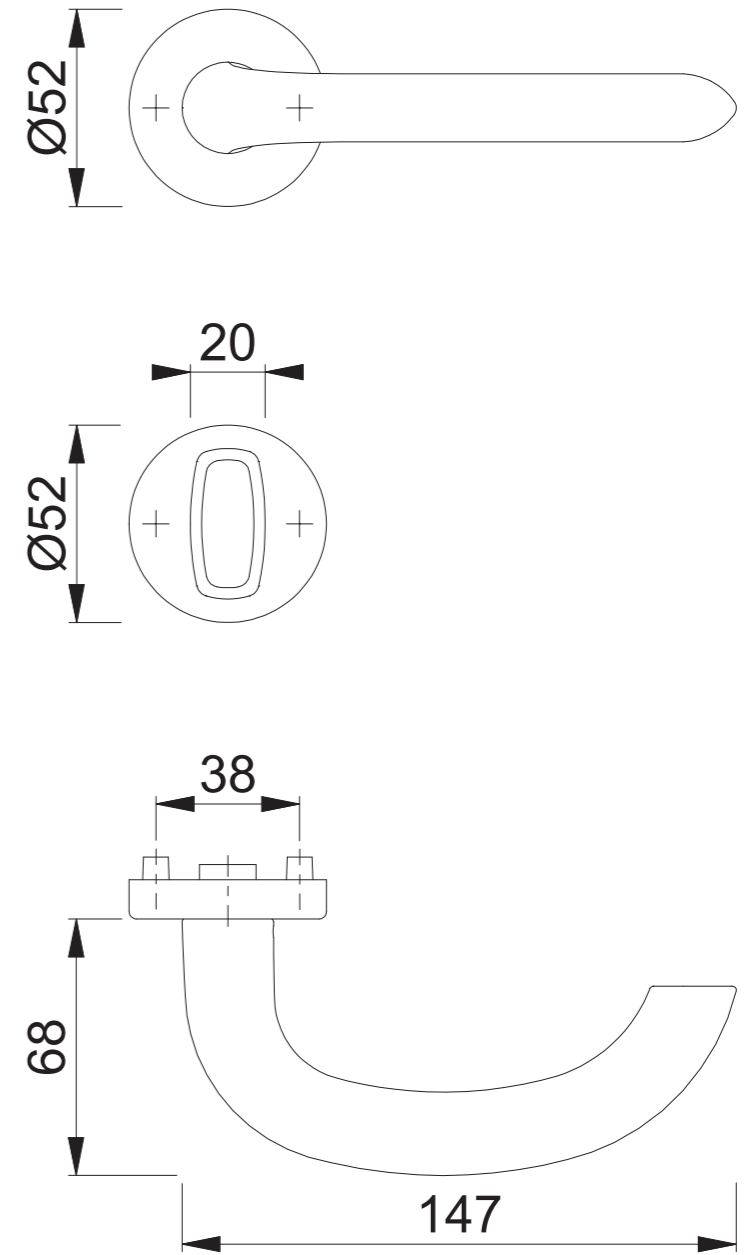
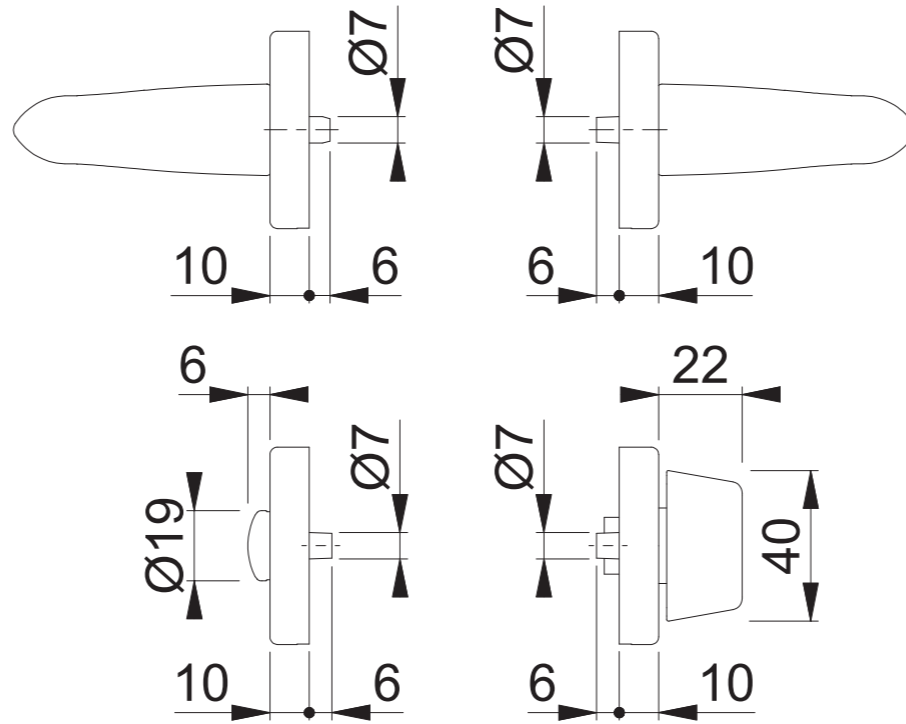
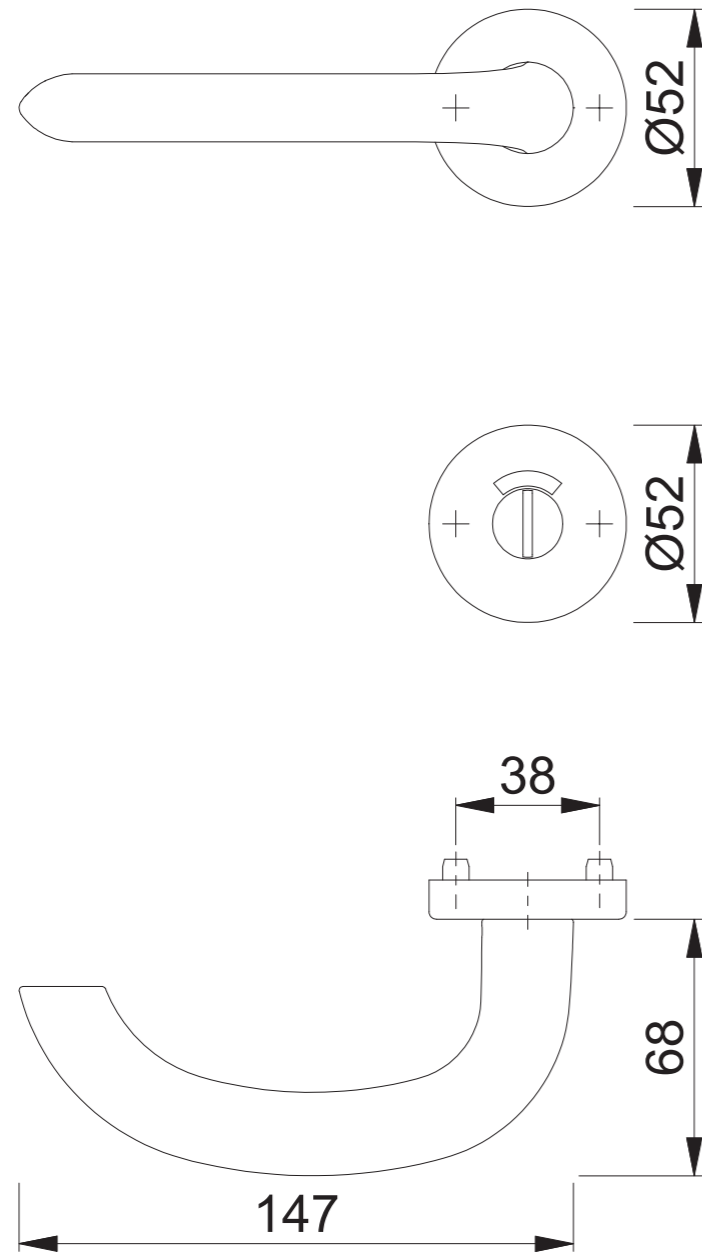


1138/42H/42HKVS RWSK/OL (RWKSK27/OL28)



| | | | | | |
|----------------|----------------|---------------------|----------------------------------|------|--------|
| Maßstab 1:2 | Name Scholz | Datum 02.12.2014 | Zeichnungsnummer c0023145z002 | A300 | HOPPE® |
|----------------|----------------|---------------------|----------------------------------|------|--------|