

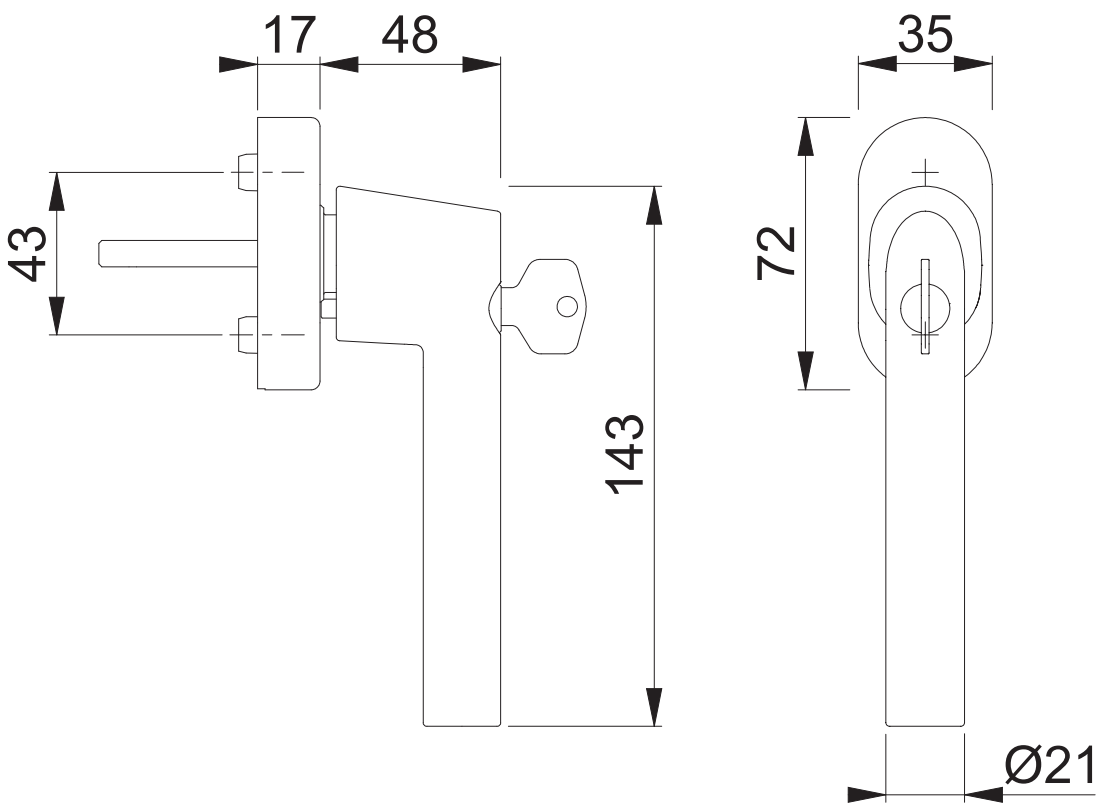
These documents are property of HOPPE AG, D-35260 Stadtlendorf and are protected by both copyright and fair trade law. Any reproduction, reprint, copying, passing on to third parties and whichever use of these documents or parts thereof is prohibited, except with prior written consent of HOPPE.

These documents are property of HOPPE AG, D-35260 Stadtlendorf and are protected by both copyright and fair trade law. Any reproduction, reprint, copying, passing on to third parties and whichever use of these documents or parts thereof is prohibited, except with prior written consent of HOPPE.

Copyright © HOPPE AG

0400S/UD9056

Bearbeitet / Datum
HHA/25.05.22



Maßstab 1:2	Name SST	Datum 24.05.2022	Zeichnungsnummer / Quelle c0012191z000	A4 00
----------------	-------------	---------------------	---	-------

Artikel-Schriftfeld-CAD
0400S/UD9056 SecuForte RAL200

