

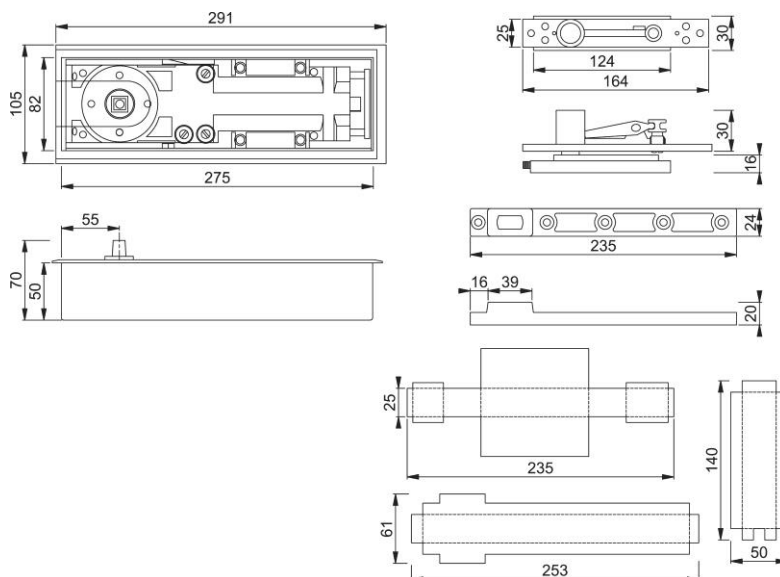
Product data sheet

AR760



ARRONE floor spring:

- Power size: 1 to 4 adjustable by spring tension
- Function: Closing, latching speed
- Maximum door width: 1,100 mm
- Maximum door weight: 80 kg
- Suitable for double action doors (supplied complete with accessory pack consisting of adjustable top centre, top and bottom strap)
- Successfully type tested for conformity to all the requirements of **BS EN 1154:1997** - 3 | 8 | 4/1 | 1* | 1 | 4
- Included in a successful fire test to **BS EN 1634** Part 1. Assessed for use on 30, 60 and 120 minute timber fire doors.
- CE Marked: AD5347
- CPR Declaration of Conformity Certificate: HUK0067



Article number	50011303
Product ref.	AR760-DA-SSS
EAN-Code	5051358001459
Country of origin	Taiwan
CN-Code	83026000
Maximum door width	
Maximum door weight	
Mechanism type	
Function	Closing speed, latching speed
Action	Double action swing
Dimensions	291x82x50 mm
Power size	1 to 4
Door weight	Maximum door mass 80 kg
Door width	max. 1100 mm
Opening Angle	max. 170° opening
Finish	Satin Stainless Steel
Range	ARRONE Range
Packing unit	0
Outer carton	0